



Systems and Motors for Shutters and Shade Screens



Sliding | Folding | Swinging

313A



MANTION® has been designing and manufacturing sliding systems since 1920



European specialist in sliding systems for the building and overhead handling markets.

For over a century, the **Mantion®** group has been developing its business designing, making and **selling sliding hardware** for the building trade. Recognised today as one of the global leaders on our market, we always strive to anticipate trends and provide **reliable and easy-to-use solutions** for customers' personal and work spaces.

In that same spirit and driven by the love of a **well-designed product built to last**, in the last few years we have been investing in automatic controls for doors and windows, in a direct progression from our original products. Considering this a strategic area of development, we chose to **develop and manufacture our own automatic control products** in our

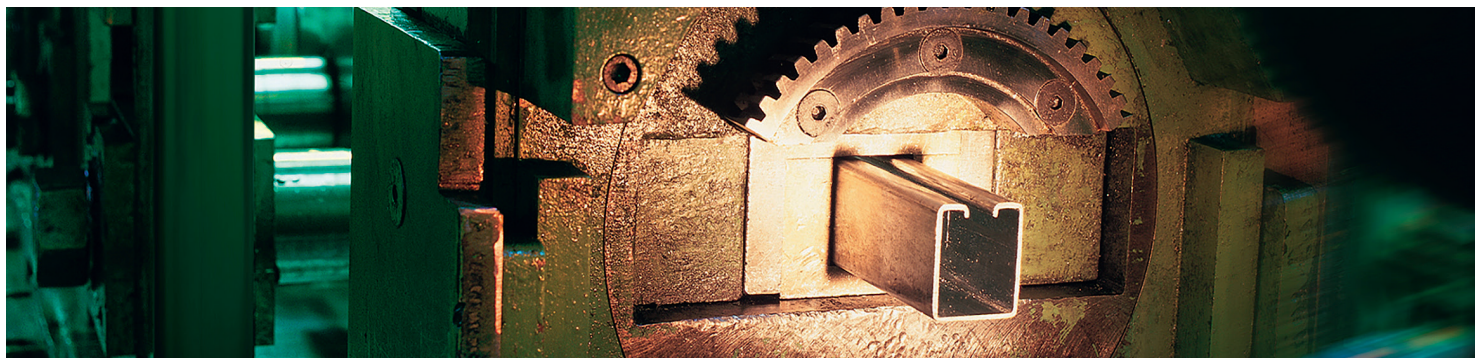
subsidiary **Mantion® SMT** based in Genlis in the Côte d'Or region of France. After pioneering the use of automatic controls for sliding shutters and then becoming the benchmark on the market for automatic controls for swing shutters, today **we are able to bring you the most reliable, easy-to-use automatic control for sliding doors available on the market.**

Mantion enjoys international recognition based on:

- ongoing innovation and continuously tailoring its products to its customers' needs.
- the quality of its products which meet the highest standards on the market

Mantion's know-how is first and foremost:

- its team – men and women with a proven track record, who do all they can to provide you with the best service each and every day.
- its ongoing investment policy combined with the use of the latest technology.



A passion for the product

Mantion is based in Franche Comté, a region of France with a proud industrial past and a long-standing reputation for precision mechanical engineering and watchmaking. This culture is deeply ingrained in our staff, who are motivated by a constant quest for excellence and technical innovation.

Strong social ethics

We attach great importance to the human aspects of business and the management of our people, without whom none of our achievements would be possible. This means we pay particular attention to **gender equality** and **continuing training**.

We are convinced that we can only gain by opening up the company to its environment and so we encourage exchanges with the academic and cultural worlds, regularly hosting students on placements, training apprentices, developing partnerships with **schools and universities**, and occasionally offering industrial sponsorships, thereby highlighting our employees' expertise and putting it to good use.

Our presence abroad, which dates back more than 50 years, has helped to shape an **open and culturally diverse mindset at Mantion**. Our teams include people of a dozen nationalities who all work together on a daily basis, constantly interacting

with customers located in over 80 countries on 5 continents. This environment gives the company an exceptional culture of openness that benefits all our partners.

The environment – always a central concern

Certified ISO 14001, we have already been working for over 30 years on minimising the environmental impact of our products.

Pioneers in our field in the use of lightweight materials such as high strength steels (1990) and for the total elimination of chromium from the surface treatments of our products (2003).

Committed to making the sustainability of our products a priority, we have turned this ambition into a reality with warranties of up to 25 years on some products.

Mantion has made commitment to limit its environmental impact with eco-friendly printing.



Papier recyclé



Guarantee certificate

MANTION S.A.S

Guarantees a performance* of
12 years

on sliding systems for outdoor applications
on the following ranges:

SPORTUB® • HERCULE® • OPENTEC®
WIN-SLIDE 2 • WIN-STH • WIN-STS
WIN-2500 • WIN-FOLD



Martial Devaux
MANTION S.A.S
Chief Executive Officer

* This guarantee only applies to a number of cycles defined by our product range, installation instructions and conditions that can be found on our web site www.mantion.com

To back up its environmental policy, **MANTION** has issued a French collective Environmental and Health Declaration (FDES), an EPD at European level.

The EPD is a multi-criteria tool that helps professionals make choices that will make buildings more sustainable and limit their environmental impact whilst creating a healthy environment for future users.





Our systems for shutters are subject to standards that certify their compliance.

Several standards apply to systems for shutters. Some are mandatory and others are optional.

Because quality and safety must be beyond reproach, our systems for shutters meet all French and European standards.

MANTION has one of the largest testing centres in Europe in the area of sliding systems.

STANDARDS



The Manton group is actively involved in many standardisation working groups, in both France (SNFPSA UNM) and Europe (CEN). And more particularly for standards **NF EN 1527 v2013** and **PR NF EN 26-341**. All the Manton manual and motorised sliding systems in this catalogue are designed and manufactured in strict compliance with the following European standards:

- **NF EN 1527 v2013:** Hardware for sliding doors and folding doors – Requirements and test methods
- **PR NF P26-341:** Building hardware – Automated devices for operating swinging, sliding and sliding-folding shutters
- **PR NF EN 1932:** External blinds and shutters – Resistance to wind loads – Method of testing
- **NF EN 12045:** Shutters and blinds power operated – Safety in use – Measurement of the transmitted force
- **NF EN 12051:** Building hardware – Door and window bolts – Requirements and test methods
- **NF EN 12194:** Shutters, external and internal blinds – Misuse – Test methods
- **PR NF EN 13330:** Shutters – Hard body impact and prevention of access – Test methods
- **NF EN 13527:** Shutters and blinds – Measurement of operating force – Test methods
- **NF EN 13659:** Shutters and blinds – Performance requirements including safety

- **NF EN 14201:** Blinds and shutters – Resistance to repeated operations (mechanical endurance) – Methods of testing
- **PR NF P26-341:** Building hardware – Automated devices for operating swinging, sliding and sliding-folding shutters
- **NF EN 14648:** Building hardware – Fittings for shutters – Requirements and test methods
- **NF EN 60335-2-103:** Household and similar electrical appliances – Safety – part 2-103: Particular requirements for drives for gates, doors and windows
- **ISO 4520:** Specification for chromate conversion coatings on electroplated zinc and cadmium coatings



This guarantee applies within the limit of a number of cycles specific to each range and depending on the conditions of installation. Details are available on WWW.MANTION.COM

Our Terms and Conditions of Sale are also available online: WWW.MANTION.COM

06

SLIDING SHUTTERS



Aluminium Range

WIN-SLIDE 2

Track + brackets – single and double channel
80 kg max.

NEW



06

WIN-SLIDE 2 - COASTAL

Track + brackets – single and double channel
80 kg max.

NEW



08

WIN-SLIDE 2 SETS

Set for 1 leaf - 80 kg
Set for 2 leaves in opposite directions - 80 kg

NEW



10

SYCOMM MOTORISED SYSTEM

230V power supply
230V power supply with battery pack



12

Steel & Stainless Steel Range

WIN-STH

HERCULE® track - Steel or Stainless Steel
9010: 80 kg max. – 9030: 200 kg max.



14

WIN-STS

SPORTUB® track - Steel
3530: 80 kg max. – 5040: 150 kg max.



16

WIN-2500

Steel track
30 kg max.



17

Lower guide

FAÇADE MOUNTING

18

FLOOR/SILL MOUNTING

20

22

SLIDING FOLDING SHUTTERS



WIN-FOLD 2

Aluminium track – 20 kg max.
Face or reveal fitting



22

24

SWING SHUTTERS (AUTOMATIC CONTROLS)



WIBAT®

Invisible drive (hinge pin)
50 kg max.



24

WIBAT® APPLIQUE

Arm drive
50 kg max



26

WIBAT® LINTEAU

Arm drive with aluminium box
50 kg max.



28

30

ACCESSORIES

Shutter stays

30

Miscellaneous accessories

30 - 31

32

MISCELLANEOUS

SLIDSOFT® online configurator

32

Mantion EMPLOYEES

33

OTHER MANTION products

34

Digital list

35



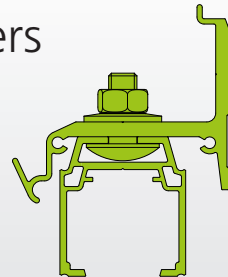
MANTION® SAS

7 rue Gay Lussac | 25000 Besançon - France
Tel. + 33 3 81 50 56 77 | Fax + 33 3 81 53 29 76
Email: mantion@mantion.com



System for sliding shutters WIN-Slide 2

NEW



CAPACITY PER PANEL	80 kg
PANEL THICKNESS	25-40* mm
PANEL TYPES	wood, aluminium, PVC, etc.
TRACK	ANODISED ALUMINIUM
MOVEMENT	STRAIGHT

* up to 80 mm (1 channel) for a "shade screen" type mounting

HANGERS & ACCESSORIES

Item no.	Description
11280XA2	Hanger equipped with 4 rollers, pins mounted on ball bearings, A2 stainless steel M8 screws (59 mm). For panels operated manually, without synchronisation - max. weight 80 kg/panel.
11280LXA2	Ditto, with M8 screws (93 mm) for synchronised and/or motorised panels
0026XA2	A2 stainless steel plate to be screwed on edge. Panel thickness: 25 mm min.
0027XA2	A2 stainless steel bracket to be screwed on panel face (80 x 58 mm). Panel thickness: 28 to 36 mm.
11286XA2	Track stop with two anchoring points. Supplied with A2 stainless steel fasteners.



SOFTCLOSER

JUNE 2023	Softcloser for softly opening and/or closing doors. The softcloser automatically accompanies the panel to its open and/or closed position.
------------------	--

TRACKS & ACCESSORIES - single channel - 80 kg

11208/600*	Raw aluminium track, 39 x 36 mm cross-section. L = 6 m.
11293	Adjustable, single, raw aluminium mounting bracket. Supplied with A2 stainless steel fasteners. Fastened every 660 mm at most.



PELMETS & END CAPS - single channel - 80 Kg

For manually operated shutters	
11263/600*	Raw aluminium pelmet. L = 6 m.
11266	Set of pelmet end caps 11263, including: 2 raw aluminium end caps, 2 pelmet fastening clamps, 8 A4 stainless steel fastening screws.
For synchronised and/or motorised shutters	
11263L/600*	Raw aluminium pelmet. L = 6 m.
11266L	Set of pelmet end caps 11263L, for synchronised shutters, including: 2 raw aluminium end caps, 2 pelmet fastening clamps, 8 A4 stainless steel fastening screws.
11266M	Ditto for motorised shutters; contains an extra bracket for the end cap on the motor side.
Pelmet mounting	
11269	Set of 5 anodised aluminium clamps for fastening pelmets onto brackets.

*other lengths available on request



TRACKS & ACCESSORIES - double channel or single shade screen

11208/600*	Raw aluminium track, 39 x 36 mm cross-section. L = 6 m.
11293D	Adjustable, double, raw aluminium mounting bracket. Supplied with A2 stainless steel fasteners. Fastened every 660 mm at most.



PELMETS & END CAPS - double channel or single shade screen

For manual, synchronised and/or motorised shutters	
11264L/600*	Raw aluminium pelmet. L = 6 m.
11267L	Set of pelmet end caps 11264L, for manual and/or synchronised shutters, including: 2 raw aluminium end caps, 2 pelmet fastening clamps, 8 A4 stainless steel fastening screws.
11267M	Ditto for motorised shutters; contains an extra bracket for the end cap on the motor side.
Pelmet mounting	
11269	Set of 5 anodised aluminium clamps for fastening pelmets onto brackets.

*other lengths available on request



Sliding system for shutters, high-end finish.

- **COMPACT:** reduced vertical space requirements across the range, 3-directional adjustment maintained. New compact pelmet Return pulley integrated into the end stop.
- **TIME-SAVING:** 50% more space between track fastening points (66 cm instead of 44)
- **SAFETY:** new end stop with 2 anchoring points in the track.
- **INNOVATION:** new damper ensuring panels open and close softly.

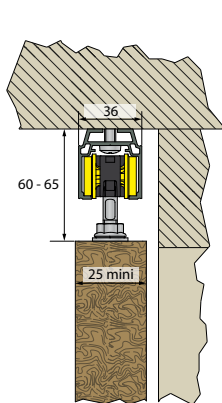
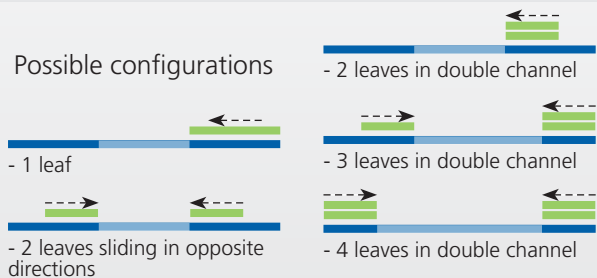
WIN-Slide 2



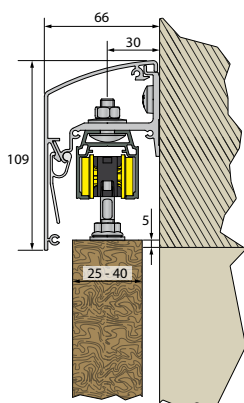
Installation video

SLIDING

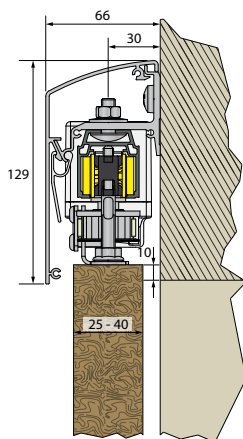
Possible configurations



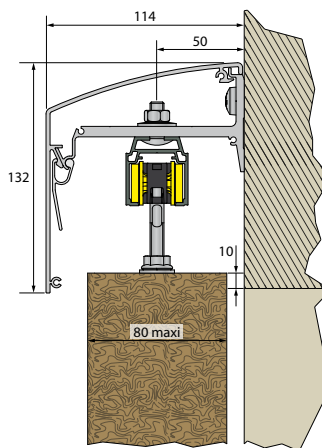
Ceiling mounting
1 channel
manual



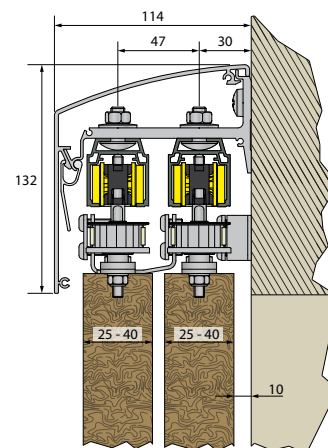
Wall mounting
1 channel
manual



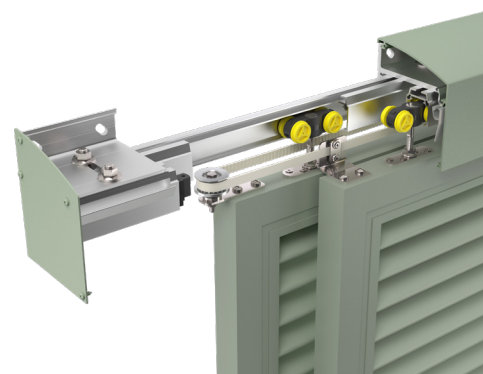
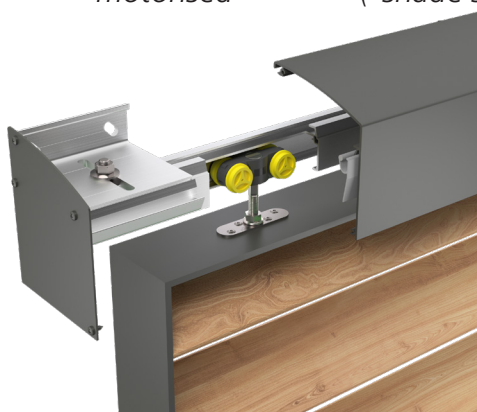
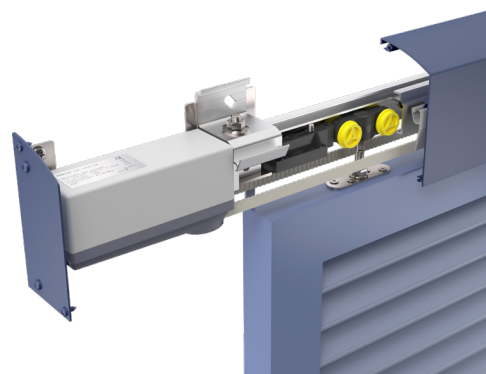
Wall mounting
1 channel
motorised



Wall mounting
1 channel - manual
("shade screen" type)



Wall mounting
2 channels
synchronised



ACCESSORIES FOR SYNCHRONISING LEAVES

11286XA2-SYN	Track stop with integrated return pulley.
10190	Offset return pulley.
11291	A2 stainless steel joining bracket.
10192	A2 stainless steel driving bracket.
10171	A2 stainless steel fixed point assembly.
10172/...	Reinforced cog belt. L = 2.5 / 5 / 7.5 / 10 / 15 / 25 and 50 m



11286XA2-SYN



10190



11291



10192

ACCESSORIES

11295	Set of 5 A2 stainless steel suspensions. Manual configuration with ceiling mounting: for fastening the pelmet (not supplied by MANTION) Motorised configuration with ceiling mounting: for installing the motor and fastening the pelmet (not supplied by MANTION).
11293MXA4	A4 stainless steel connector plate for two 11208 tracks.



10171



10172/...

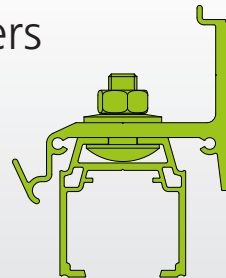


11295



11293MXA4

System for sliding shutters WIN-Slide 2 coastal



316 or A4 stainless steel – also known as marine grade STAINLESS STEEL – is designed for use in polluted, aggressive and marine outdoor environments. The addition of 2% molybdenum increases its pitting corrosion resistance, making it the recommended grade for use in coastal environments.

CAPACITY PER PANEL	80 kg
PANEL THICKNESS	25-40* mm
PANEL TYPES	wood, aluminium, PVC, etc.
TRACK	ANODISED ALUMINIUM
MOVEMENT	STRAIGHT

* up to 80 mm (1 channel) for a "shade screen" type mounting

HANGERS & ACCESSORIES

Item no.	Description
11280XA4	Hanger equipped with 4 rollers, pins mounted on ball bearings, A4 stainless steel M8 screws (59 mm). For panels operated manually, without synchronisation - max. weight 80 kg/panel .
11280LXA4	Ditto with M8 screws (93 mm).
0026XA4	A4 stainless steel plate to be screwed on edge. Panel thickness: 25 mm min.
11286XA4	Track stop with two anchoring points. Supplied with A4 stainless steel fasteners.



11280XA4



11280LXA4



0026XA4



11286XA4

TRACKS & ACCESSORIES – SINGLE CHANNEL – 80 KG

11208A/600*	Anodised aluminium track, 39 x 36 mm cross-section. L = 6 m.
11293A	adjustable, <u>single</u> , anodised aluminium mounting bracket. Supplied with A2 stainless steel fasteners. Fastened every 660 mm at most.



11208A/600*



11293A

PELMETS & END CAPS – SINGLE CHANNEL – 80 KG

11263/600*	Raw aluminium pelmet to paint. L = 6 m. Available in RAL colours upon request
11266	Set of pelmet end caps 11263 , including: 2 raw aluminium end caps to paint, 2 anodised aluminium pelmet fastening clamps, 8 A4 stainless steel fastening screws . Available in RAL colours upon request.
11269	Set of 5 anodised aluminium clamps for fastening pelmets onto brackets.



11263/600*



11266



11269

*other lengths available on request

TRACKS & ACCESSORIES - double channel or single shade screen

11208A/600*	Anodised aluminium track, 39 x 36 mm cross-section. L = 6 m.
11293DA	Adjustable, <u>double</u> , anodised aluminium mounting bracket. Supplied with A2 stainless steel fasteners. Fastened every 660 mm at most.



11208A/600*



11293DA

PELMETS & END CAPS - double channel or single shade screen

11264L/600*	Raw aluminium pelmet. L = 6 m.
11267L	Set of pelmet end caps 11264L , for manual shutters, including: 2 raw aluminium end caps, 2 pelmet fastening clamps, 8 A4 stainless steel fastening screws .
11269	Set of 5 anodised aluminium clamps for fastening pelmets onto brackets.



11264L/600*



11267L



11269

*other lengths available on request

LOWER GUIDE

1110GDL	White nylon slider to be screwed in – 100 x 25 x 25 mm
1110XA4/3	30 x 30 A4 stainless steel U-profile. L = 3 m.
1110XA4/6	Ditto. L = 6 m.



1110GDL



1110XA4/3



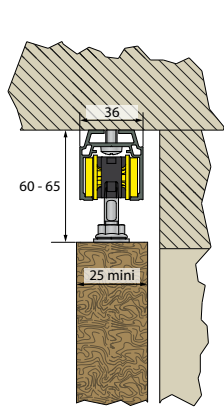
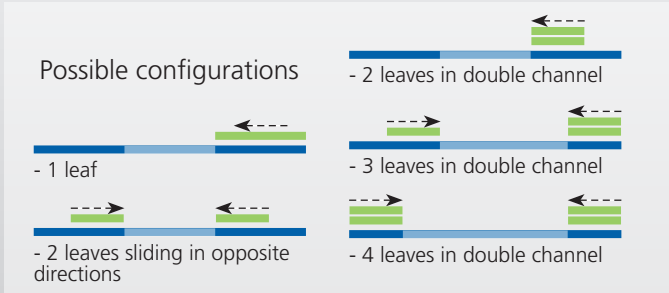
11293MXA4

ACCESSORIES

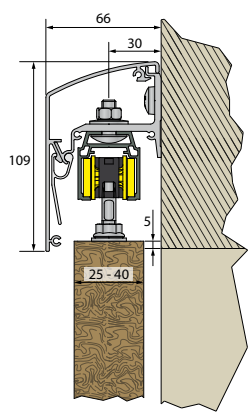
11293MXA4	A4 stainless steel connector plate for two 11208A tracks.
-----------	---

Sliding system for shutters, high-end finish.

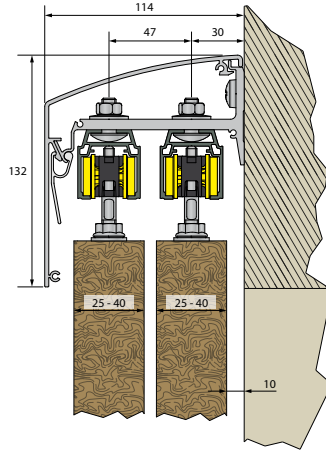
- **COMPACT:**
 - reduced vertical space requirements across the range with 3-directional adjustment maintained
 - new compact pelmet
- **TIME-SAVING:** 50% more space between track fastening points (66 cm instead of 44)
- **SAFETY:** new end stop with 2 anchoring points in the track



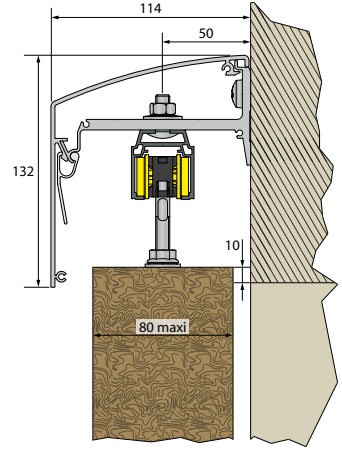
Ceiling mounting
1 channel - manual



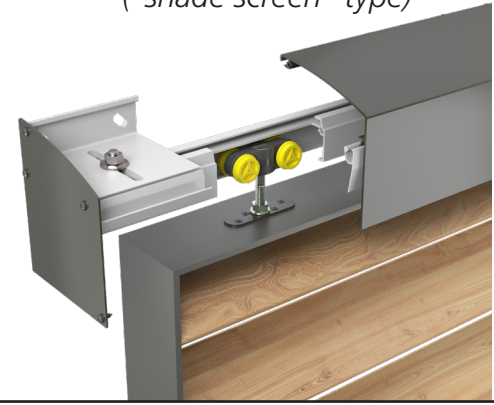
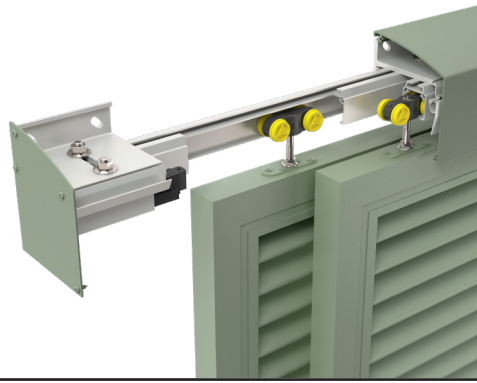
Wall mounting
1 channel - manual



Wall mounting
2 channels - manual



Wall mounting
1 channel - manual
("shade screen" type)



SLIDSOFT®: online configurator! www.mantion.com

SlidSoft
match up your projects

Your personalised **sliding solution**
online and adapted to your needs!

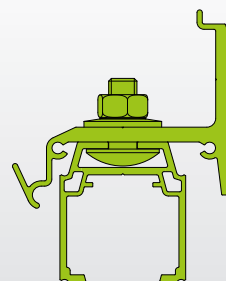


Installation instructions are available to download on int.mantion.com



Design by METALLERIE GUETTARD

SETS for sliding shutters WIN-Slide 2



CAPACITY PER PANEL	80 kg
PANEL THICKNESS	25-40 mm
PANEL TYPES	wood, aluminium, PVC, etc.
TRACK	ANODISED ALUMINIUM
MOVEMENT	STRAIGHT

SET FOR 1 LEAF UP TO 80 KG WALL MOUNTING, MANUAL OPERATION FOR OPENINGS UP TO 900 MM WIDE

Item no.	Description
WSLIDE-2RGV1	Set for 1 leaf up to 80 kg max.:
	- 1 track 11208 . L = 2 m
	- 2 hangers 11280XA2 equipped with 4 rollers, pins mounted roller bearings, A2 stainless steel M8 screws
	- 2 A2 stainless steel plates 0026XA2 to be screwed on edge
	- 2 end stops 11286XA2 with A2 stainless steel fasteners
	- 4 raw aluminium adjustable mounting brackets 11293 , with A2 stainless steel fasteners
	- 1 white plastic adjustable guide 1128ARG , for 25x17 and 30X30 U-profiles, on electrocoated steel bracket + white polyester paint RAL 9010
	- 2 white plastic adjustable guides 1131XRG for 25x17 and 30x30 U-profiles on A2 stainless steel tiltable plate
	- 1 25x17 zinc-plated steel U-profile 1109/150 . L = 1.5 m

WSLIDE-2RGV1 set



SET FOR 2 LEAVES SLIDING IN OPPOSITE DIRECTIONS UP TO 80 KG WALL MOUNTING, MANUAL, NON-SYNCHRONISED OPERATION FOR OPENINGS UP TO 1900 MM WIDE

Item no.	Description
WSLIDE-2RGV2	Set for 2 leaves up to 80 kg max.:
	- 2 tracks 11208 . L = 2 m
	- 4 hangers 11280XA2 equipped with 4 rollers, pins mounted on roller bearings, A2 stainless steel M8 screws
	- 4 A2 stainless steel plates 0026XA2 to be screwed on edge
	- 4 11286XA2 end stops with A2 stainless steel fasteners
	- 8 raw aluminium adjustable mounting brackets 11293 , with A2 stainless steel fasteners
	- 1 stainless steel track connector
	- 2 white plastic adjustable guides 1128ARG for 25x17 and 30X30 U-profiles, on electrocoated steel bracket + white polyester paint RAL 9010
	- 3 white plastic adjustable guides 1131XRG for 25x17 and 30x30 U-profiles on A2 stainless steel tiltable plate
	- 2 2517 zinc-plated steel U-profiles 1109/150 . L = 1.5 m

WSLIDE-2RGV2 set



OPTIONS: PELMETS - END CAPS - ACCESSORIES

11263/200	Raw aluminium pelmet. L = 2 m.
11266	Set of pelmet end caps 11263 , including: 2 raw aluminium end caps, 2 pelmet fastening clamps, 8 A4 stainless steel screws.
11295	Set of 5 A2 stainless steel suspensions. Manual configuration with ceiling mounting: for fastening the pelmet (not supplied by MANTION) Motorised configuration with ceiling mounting: for installing the motor and fastening the pelmet (not supplied by MANTION).
11269	Set of 5 anodised aluminium clamps for fastening pelmets onto brackets.

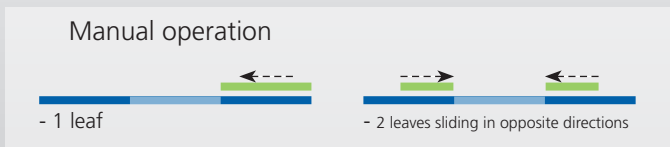


Make the job easier by using WIN-SLIDE 2 ready-to-install kits.

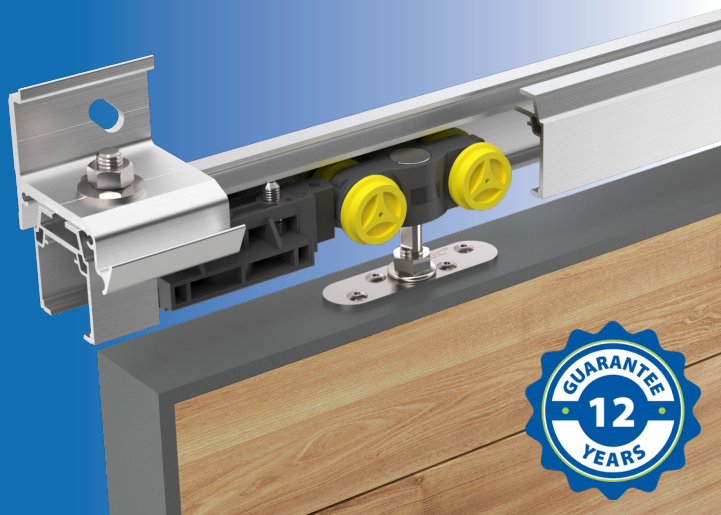
PRACTICAL: A single kit containing everything you need for:

- 1 leaf for openings up to 900 mm
- 2 leaves sliding in opposite directions up to 1900 mm

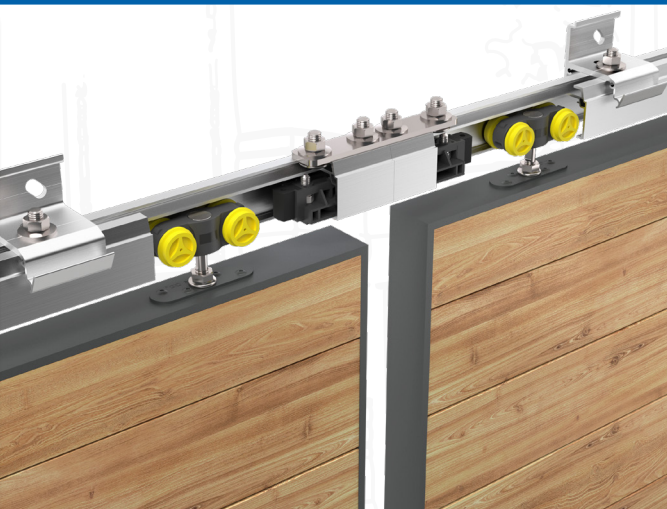
Possible configurations:



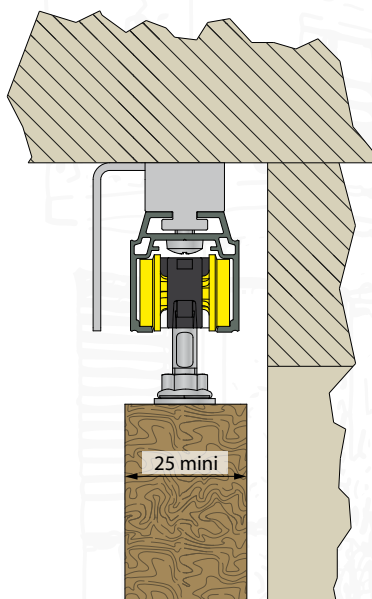
SETS WIN-Slide 2



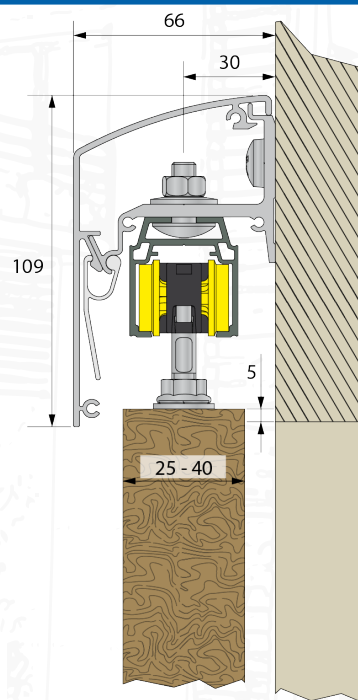
SLIDING



WSLIDE-2RGV2



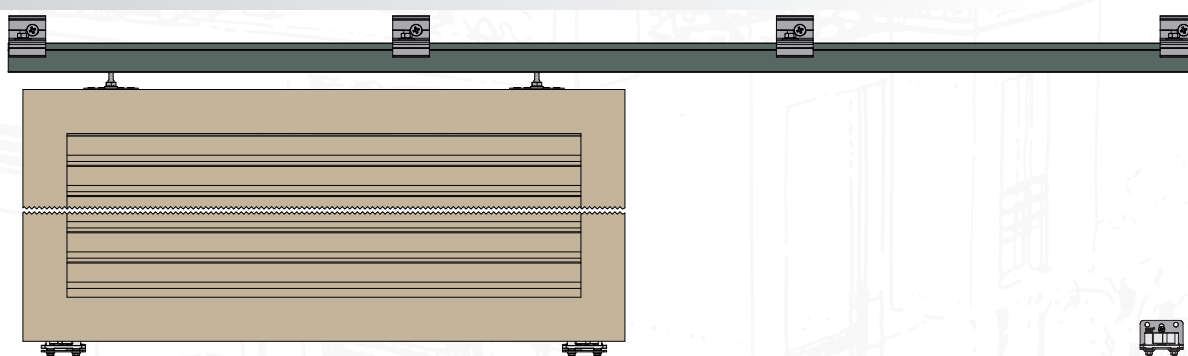
Option: ceiling mounting with bracket 11295



Option: wall mounting with pelmet

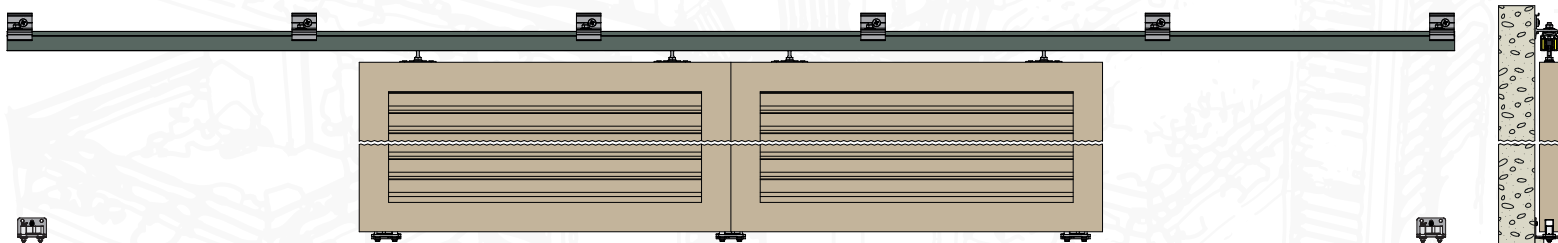
Assembly with ref. **WSLIDE-2RGV1** :

1 leaf - For openings up to 900 mm



Assembly with ref. **WSLIDE-2RGV2** :

2 leaves sliding in opposite directions - For openings up to 1900 mm

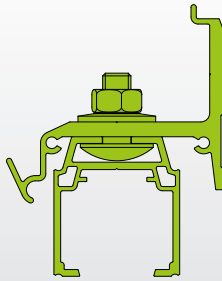




Drive for sliding shutters

SYCOMM

for range
WIN-Slide 2

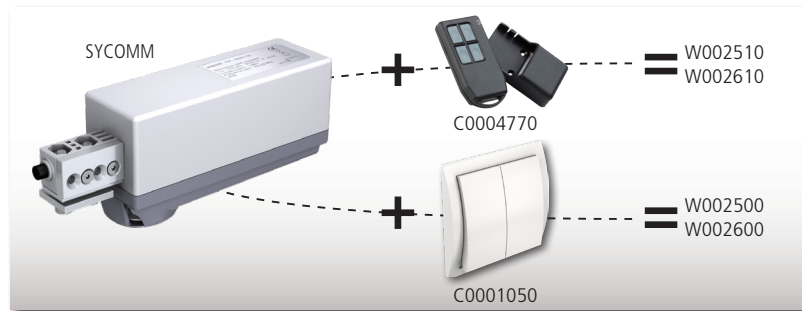


CAPACITY PER PANEL	80 kg (single panel) 50 to 80 kg (2 to 4 panels)
PANEL THICKNESS	25-40* mm
PANEL TYPES	wood, aluminium, PVC, etc.
TRACK	ANODISED ALUMINIUM
MOVEMENT	STRAIGHT

* up to 80 mm (1 channel) for a "shade screen" type mounting

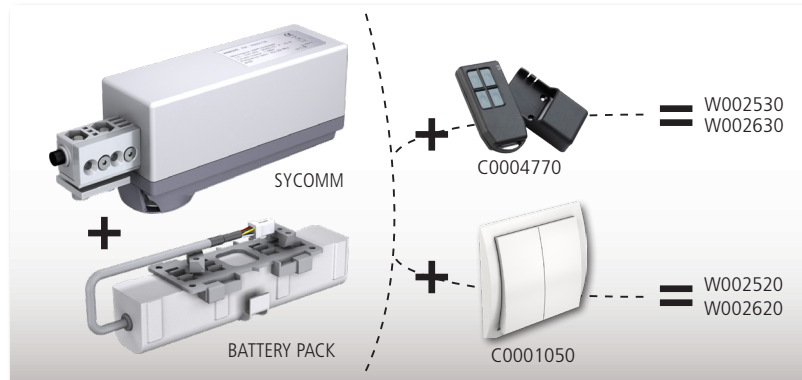
SYCOMM MOTOR - 230V POWER SUPPLY

Item no.	Description
W0002510	Drive kit (230V power supply) with wireless control, includes: - 1 SYCOMM motor (onboard electronics) with position-holding brake* - 1 wireless remote control C0004770
W0002610	Ditto with SYCOMM motor without position-holding brake**
W0002500	Drive kit (230V power supply) with wired control, includes: - 1 SYCOMM motor (onboard electronics) with position-holding brake - 1 wired switch C0001050
W0002600	Ditto with SYCOMM motor without position-holding brake**



SYCOMM MOTOR WITH BATTERY PACK 230V POWER SUPPLY

W0002530	Drive kit (230V power supply) with wireless control, includes: - 1 SYCOMM motor (onboard electronics) with position-holding brake* - 1 battery pack (in case of power outages) - 2-year warranty - 1 cable harness to connect the motor to the battery - 1 wireless remote control C0004770
W0002630	Ditto with SYCOMM motor without position-holding brake**
W0002520	Drive kit (230V power supply) with wired control, includes: - 1 SYCOMM motor (onboard electronics) with position-holding brake* - 1 battery pack (in case of power outages) - 2-year warranty - 1 cable harness to connect the motor to the battery - 1 wired switch C0001050
W0002620	Ditto with SYCOMM motor without position-holding brake**



* **Sycomm with position-holding brake:** the shutter is held in position:
Holding force ~30 kg

** **Sycomm without position-holding brake:** the system is reversible.
Operation possible by applying a force < 5 kg

ACCESSORIES

K0001170	Spare battery pack (consumable item). 2-year warranty.
C0012620	2.2 m cable harness extension for motor/battery. 2 extensions can be added to the standard kit for a total length of 6.6 m.
11286XA2-SYN	Track stop with integrated return pulley.
10190	Offset return pulley.
11291	A2 stainless steel joining bracket.
10192	A2 stainless steel driving bracket.
10171	A2 stainless steel fixed point assembly.
10172/...	Reinforced cog belt. L = 2.5 / 5 / 7.5 / 10 / 15 / 25 and 50 m



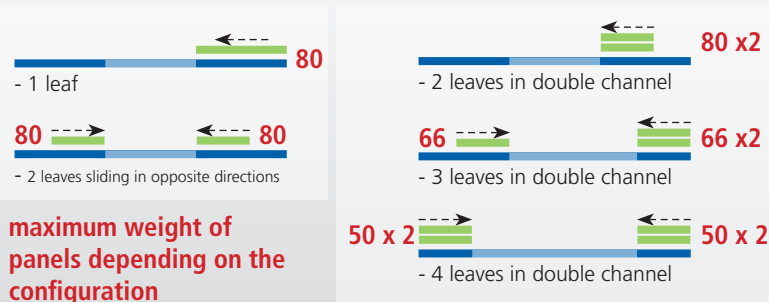
see accessories for control on p. 31



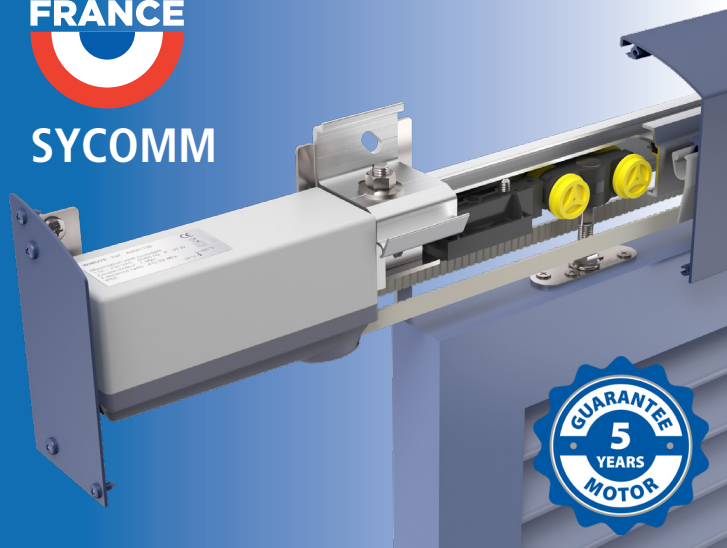
Only our **SLIDSOFT** online configurator can provide you with a list of components to use according to your configuration: hardware, pulley, belt, brackets, etc.

SlidSoft
match up your projects

Possible configurations:



SYCOMM



SLIDING

SYCOMM MOTOR

Supply voltage	110-230V AC - 50/60 Hz
Max. power	25W
Dimensions (L x W x H)	150 x 50 x 73 mm
Max. motor torque	1,5 Nm
Degree of protection	IP55
Type of limit switch	Dynamic (stops on obstacle detection)
Motor technology	Brushless
Linear velocity	~ 60 mm/s
Operating temperature	-20 to +60 °C
Radio frequency	433.92 MHz
Standby power consumption	< 20 mA
Colours	Two-coloured (RAL 7016 & 7035)
Max. total weight of leaves	200kg
Max. travel (for 1 leaf)	6m
Min. travel (for 1 leaf)	30 cm
Durability	18,000 cycles guaranteed (10 years)
Status indicators	LED, buzzer
Length of mains cable	3 m

BATTERY PACK

Voltage	12 V
Capacity	3000 mA
Type	Lithium iron phosphate LifePO4

GENERAL DATA:

Each panel must be guided at the bottom in addition to the upper sliding link.
Soft start and stop – Obstacle detection

Complies with CE requirements as per:

EN60335-1:2013; EN60335-2-103:2004+A11:2009; NFP26341
EN61000-6-1:2007; EN61000-6-2:2006; EN61000-6-3:2007; EN61000-6-4:2007; NF 26-341

Complies with the European Directives:

2006/95/EC; 2006/42/EC; 2004/108/EC; 1999/5/EC; 2002/95/EC

Note: All the data in the tables are provided for guidance only and are subject to variation according to the particular conditions of use. They are therefore not binding upon Manton. Drive system designed for domestic use and mounting under a pelmet.

SLIDSOFT®: online configurator! www.manton.com

SlidSoft
match up your projects

Your personalised **sliding solution**
online and adapted to your needs!



System for sliding shutters

WIN-STH



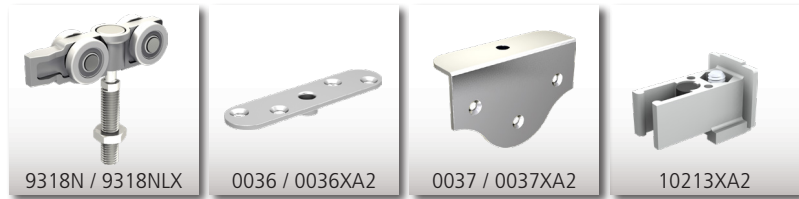
9010

CAPACITY PER PANEL	80 kg
PANEL THICKNESS	27-40 mm
PANEL TYPES	wood, aluminium, PVC, etc.
TRACK	STEEL / A2 SST (304L)
MOVEMENT	STRAIGHT

STEEL - 80 KG

HANGERS & ACCESSORIES - 9010

Item no.	Description
9318N	Hanger on nylon-coated ball bearing M10
0036	Straight plate to be screwed on edge – min. panel 20 mm
0037	Plate to be screwed on flat side (95 x 62 mm) – min. panel 30 mm
10213XA2	Claw stop to be screwed into the track



TRACKS & ACCESSORIES – 9010

9010/...	HERCULE track in galvanised steel. L = 2 / 2.5 / 3 / 10 / 4 / 5 and 6 m
9011	Box bracket
10185	Fixture for mounting box bracket
10186/250	Galvanised steel pelmet for track 9010 – L = 2.5 m
10186A/125	Zinc-plated steel pelmet* for track 9010 – L = 1.25 m
10186A/250	Ditto, L = 2.5 m
10187/250	Special galvanised steel profile to fasten wooden pelmet

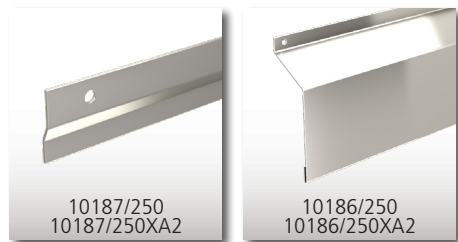


* to be painted – available in RAL colours upon request

STAINLESS STEEL 304L - 80 KG

HANGERS & ACCESSORIES – 9010 X

Item no.	Description
9318NLX	Hanger on nylon-coated ball bearing with M10 stainless steel screw
0036XA2	Straight stainless steel plate to be screwed on edge – min. panel 25 mm
0037XA2	Stainless steel plate to be screwed on flat side (95 x 62 mm) – min. panel 30 mm
10213XA2	Claw stop to be screwed into the track



TRACKS & ACCESSORIES – 9010 X

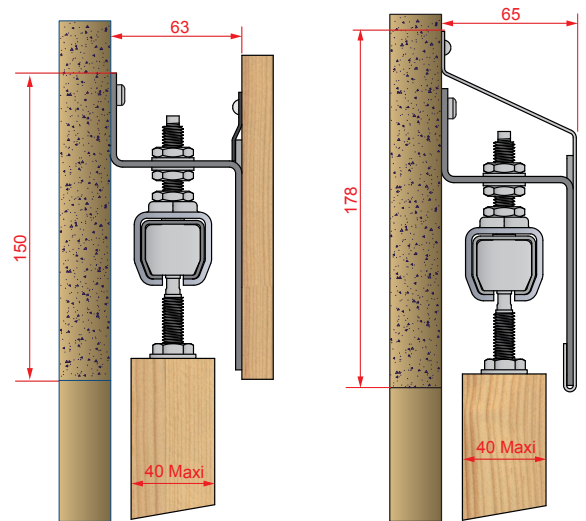
9010XA2/.	Stainless steel HERCULE track. L = 2 / 3 / 4 and 6 m.
9011XA2	Stainless steel box bracket
10185XA2	Stainless steel fixture for mounting box bracket
10186/250XA2	Stainless steel pelmet* for track 9010 – L = 2.5 m
10187/250XA2	Specific stainless steel profile to fasten wooden pelmet

* available in RAL colours upon request

SYNCHRONISATION

ACCESSORIES FOR SYNCHRONISATION OF 2 LEAVES

10189	Aluminium return pulley with plastic cover
10191	Stainless steel joining bracket
10172/...	Cog belt (reinforced). L = 2.5 / 5 / 7.5 / 10 / 15 / 25 and 50 m



For use in coastal environments (less than 3 km), use A4 stainless steel (316L):
Contact us

System for sliding shutters

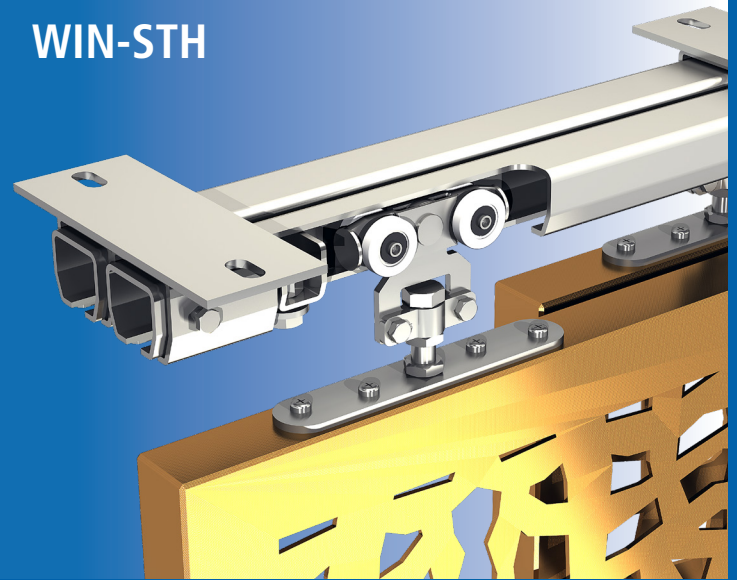
WIN-STH



9030

CAPACITY PER PANEL	120 (STEEL) 200 kg (STAINLESS STEEL)
PANEL THICKNESS	40-80 mm
PANEL TYPES	wood, aluminium, PVC, etc.
TRACK	STEEL / A2 SST (304L)
MOVEMENT	STRAIGHT

WIN-STH

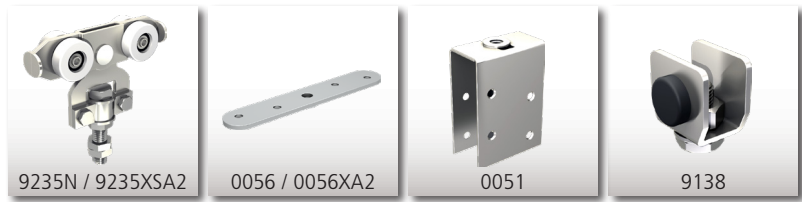


SLIDING

STEEL - 120 KG

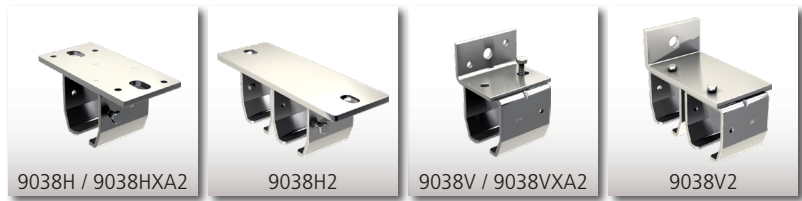
HANGERS & ACCESSORIES - 9030

Item no.	Description
9235N	Hanger on nylon-coated ball bearing - M12 screw - 120 kg per panel
0056	Straight plate to be screwed on edge – min. panel 30 mm
0051	Adjustable clevis for panels 40 to 50 mm thick
9138	Ornamental stopper



TRACKS & ACCESSORIES - 9030

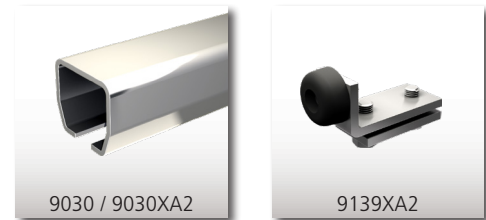
9030/...	Galvanised steel HERCULE track. L = 2 / 3 / 4 / 5 and 6 m
9038H	Single box bracket for ceiling mounting
9038H2	Double box bracket for ceiling mounting
9038V	Single box bracket for wall mounting
9038V2	Double box bracket for wall mounting



STAINLESS STEEL 304L - 200 KG

HANGERS & ACCESSORIES - 9010

Item no.	Description
9235XA2	Hanger on nylon-coated ball bearing - Stainless steel M12 screw 200 kg per panel
0056XA2	Straight stainless steel plate to be screwed on edge – min. panel 30 mm
9139XA2	Stainless steel stopper

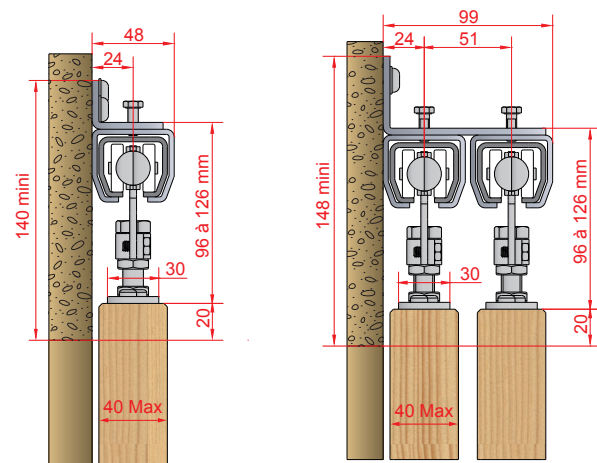
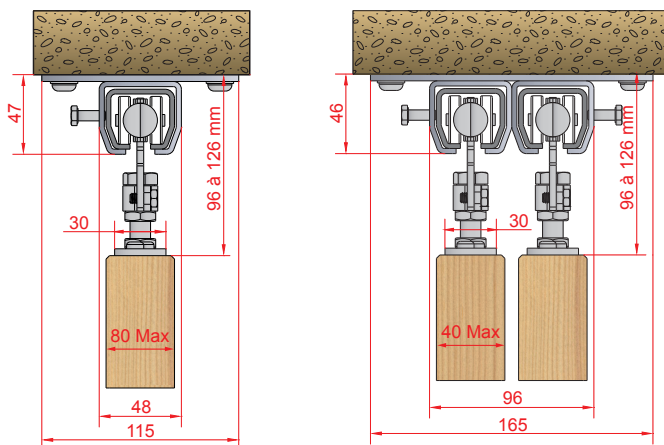


TRACKS & ACCESSORIES - 9010

9030XA2/.	Stainless steel HERCULE track - L = 6 m.
9038HXA2	Single stainless steel box bracket for ceiling mounting
9038VXA2	Single stainless steel box bracket for wall mounting

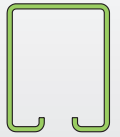


For use in coastal environments (less than 3 km), use A4 stainless steel (316L):
Contact us



System for sliding shutters

WIN-ST5



CAPACITY PER PANEL	3530 : 80 kg 5040 : 150 kg
PANEL THICKNESS	27-80 mm
PANEL TYPES	wood, aluminium, PVC, etc.
TRACK	STEEL
MOVEMENT	STRAIGHT

3530 – 80 kg

HANGERS & ACCESSORIES - 3530

Item no.	Description
0633D	Hanger on roller cage with nylon rollers and M10 screw
0036	Straight plate to be screwed on edge – min. panel 20 mm
0037	Plate to be screwed on flat side (95 x 62 mm) – min. panel 30 mm
0031	Adjustable clevis for panels 25 to 35 mm thick
1098-1	Track stop

TRACKS & ACCESSORIES – 3530

3530/...	Galvanised steel SPORTUB track. L = 2 / 3 / 4 / 5 and 6 m.
3531	Box bracket
10185	Fixture for mounting box bracket
10186/250	Galvanised steel pelmet for track 3530 – L = 2.5 m
10186A/125	Zinc-plated steel pelmet* for track 3530 – Length = 1.25 m
10186A/250	Ditto, L = 2.5 m
10187/250	Special galvanised steel profile to fasten wooden pelmet

* to be painted – available in RAL colours upon request

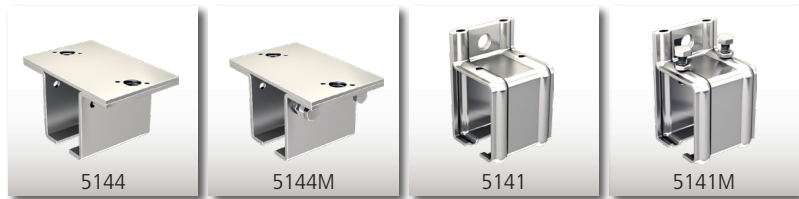
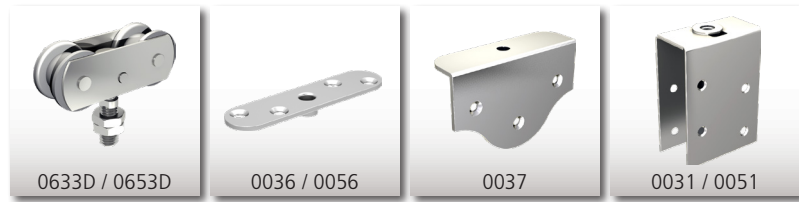
5040 – 150 kg


HANGERS & ACCESSORIES - 5040

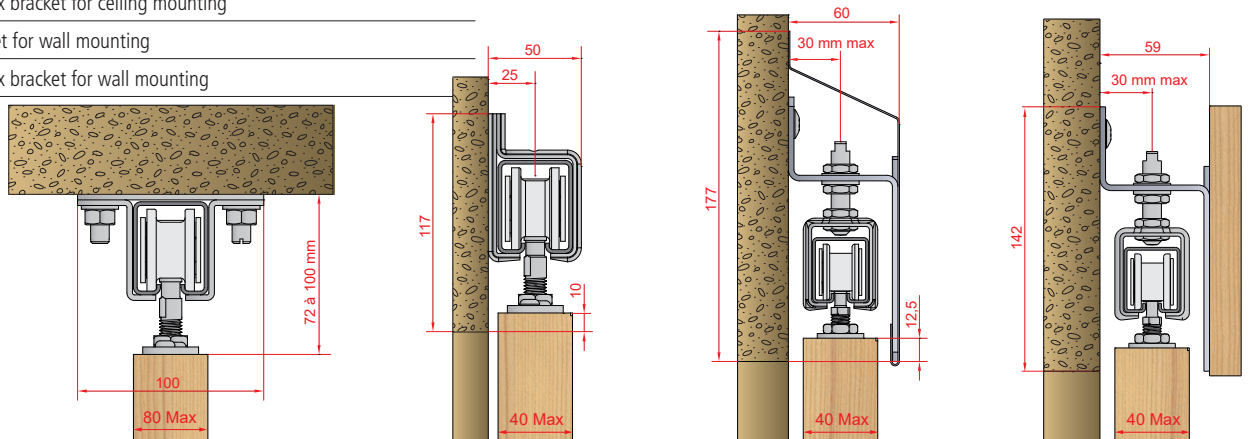
Item no.	Description
0653D	Hanger on roller cage with nylon rollers and M12 screw
0056	Straight plate to be screwed on edge – min. panel 30 mm
0051	Adjustable clevis for panels 40 to 50 mm thick
1098-1	Track stop

TRACKS & ACCESSORIES - 5040

5040/...	Galvanised steel SPORTUB track. L = 2 / 3 / 4 / 5 and 6 m.
5144	Box bracket for ceiling mounting
5144M	Joining box bracket for ceiling mounting
5141	Box bracket for wall mounting
5141M	Joining box bracket for wall mounting



 For use in coastal environments (less than 3 km) **Contact us**



System for sliding shutters

WIN-2500



CAPACITY PER PANEL	30 kg
PANEL THICKNESS	15-32 mm
PANEL TYPES	wood, aluminium, PVC, etc.
TRACK	STEEL
MOVEMENT	STRAIGHT

WIN-2500



SLIDING

HANGERS & ACCESSORIES

Item no.	Description
0623	Hanger on smooth pin with M8 nylon rollers
0023	Straight plate to be screwed on edge – min. panel 15 mm
0026	Straight plate to be screwed on edge – min. panel 20 mm
0026XA2	Stainless steel plate to be screwed on edge – min. panel 20 mm
0021	Angle plate to be screwed on flat side – min. panel 16 mm
1197	Claw stop to be screwed into the track

TRACKS & ACCESSORIES

2525F/...	Galvanised steel track. L = 2 / 2.5 / 3 / 4 / 5 and 6 m. drilled and countersunk every 110 mm
2528S	Fixture for mounting box bracket every 440 mm
2521	Box bracket
2521M	Joining box bracket
2531/...	Zinc-plated steel pelmet*. L = 1.25 and 2.5 m.

* to be painted – available in RAL colours upon request



0623



0023



0026 / 0026XA2



0021



1197



2525F



2528S



2521



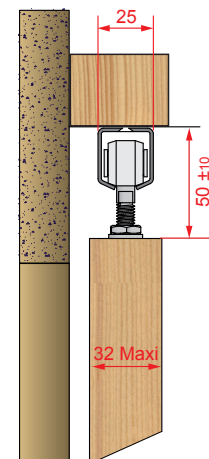
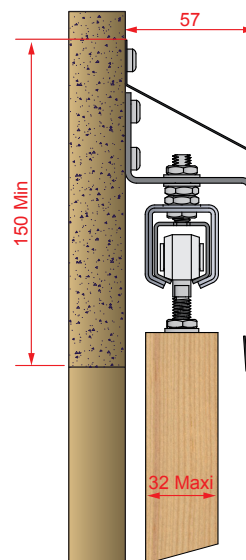
2521M



2531



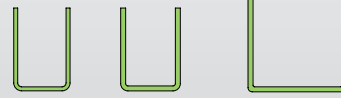
For use in coastal environments (less than 3 km) **Contact us**





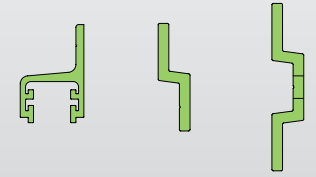
Guide for sliding shutters FACE MOUNTING

U-profiles



1109 1109A 1110

GUIDE PROFILES



11109E 11121 11122

U-PROFILES

Item no.	Description
1109/...	25x17 zinc-plated steel U-profile. L = 2 / 3 / 4 / 5 and 6 m.
1109A/...	25x18 raw aluminium U-profile. L = 2 / 2.5 / 3 / 5 and 6 m.
1110/...	30x30 zinc-plated steel U-profile. L = 3 / 4 / 5 and 6 m.
1110XA2/.	30X30 A2 stainless steel U-profile. L = 3 and 6 m.
1110XA4/.	30x30 A4 stainless steel U-profile. L = 3 and 6 m (coastal).

ISOLATED GUIDING – SINGLE CHANNEL

Item no.	Description	1109	1110
1128	Adjustable guide with 2 flexible-coated guide rollers, stainless steel bracket	X	X
1128A	Adjustable guide with 2 nylon guide rollers, electrocoated steel bracket + white polyester paint RAL 9010	X	X
1128ARG	White plastic adjustable guide (14 to 30 mm) on electrocoated steel bracket + white polyester paint RAL 9010	X	X
1128GU	Adjustable guide with grey plastic slider, on STAINLESS STEEL bracket.		X
1054	Guide with nylon guide roller, aluminium bracket.	X	

ISOLATED GUIDING – DOUBLE CHANNEL

Item no.	Description	1109	1110
1128D	Adjustable guide with 4 flexible-coated guide rollers, stainless steel bracket	X	X

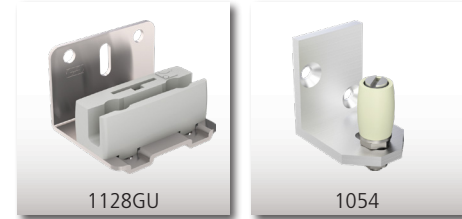
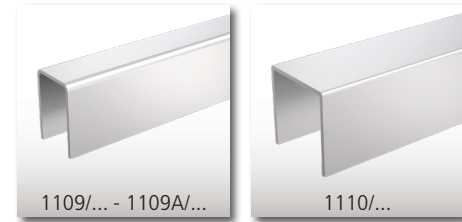
FOLLOWER TRACKS

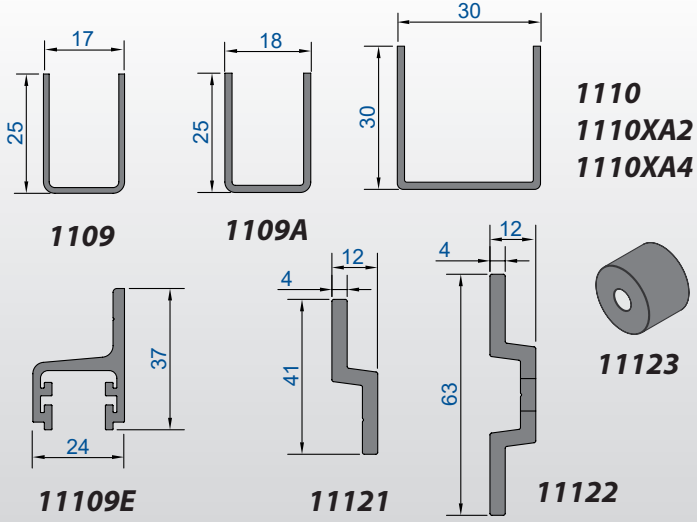
Item no.	Description
11121/*	41x12 anodised aluminium guide profile (4 mm thick) L = 2.5 / 3 / 4 / 5 and 6 m (single channel). Drilled every 500 mm (Ø 8.5 mm)
11122/*	63x12 anodised aluminium guide profile (4 mm thick) L = 2.5 / 3 / 4 / 5 and 6 m (double channel). Drilled every 500 mm (Ø 8.5 mm)
11123	Set of 5 nylon spacers, 8 mm thick, to fasten 11121 and 11122.
11109E/...*	37x24 anodised aluminium U-profile (14 on inside) to be screwed onto wall. L = 3 and 6 m.

* profiles are available in raw aluminium (to paint) upon request

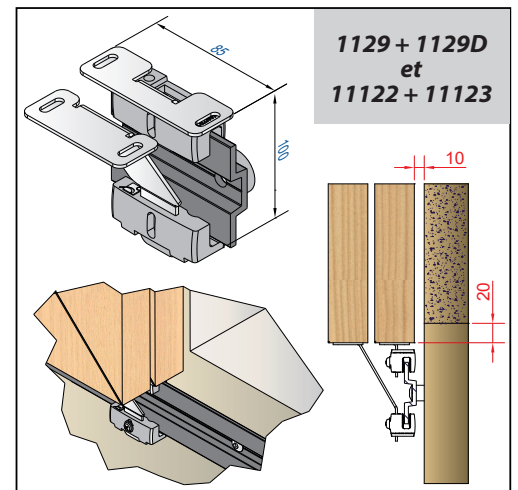
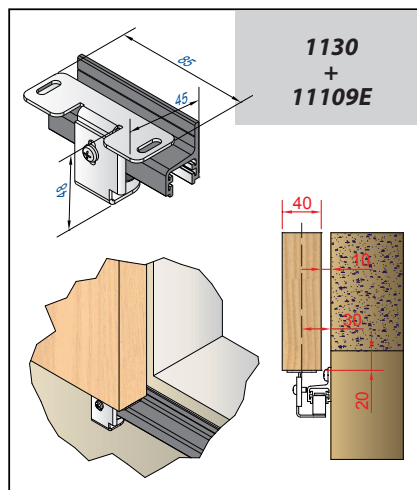
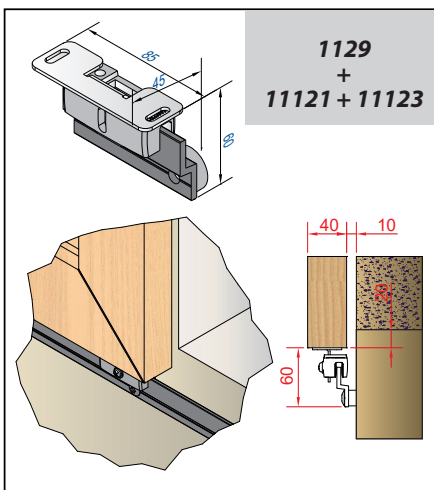
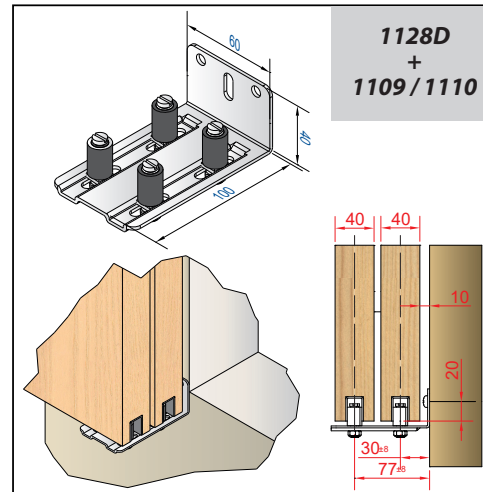
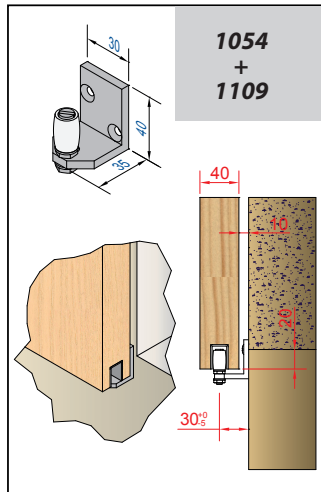
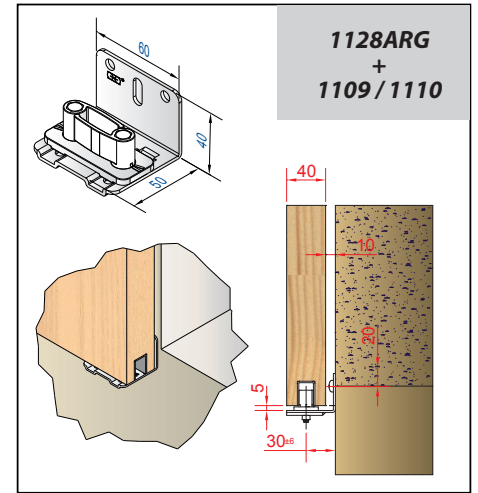
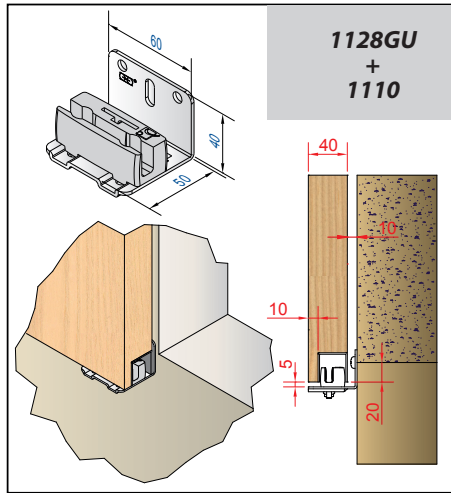
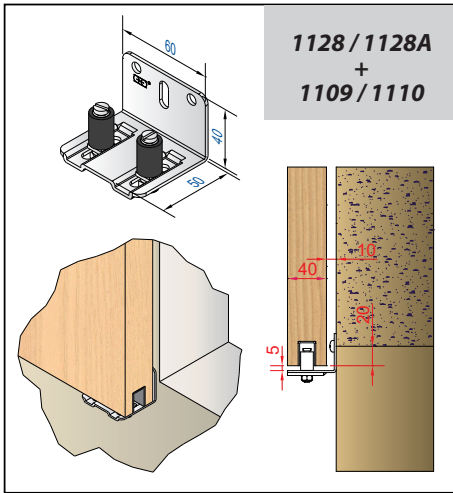
GUIDE ON RUNNING TRACK – SINGLE AND DOUBLE CHANNEL

Item no.	Description	11121	11122	11109E
1129	Grey plastic slider on stainless steel bracket for mounting under panel	X	X	
1130	Adjustable guide with 1 flexible-coated guide roller, stainless steel bracket Mounting under the panel.			X
1129D	Grey plastic slider on stainless steel bracket for mounting under outside panel		X	





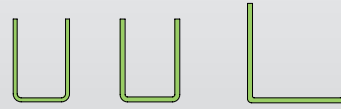
SLIDING





Guide for sliding shutters FLOOR/SILL MOUNTING

U-profiles



1109 1109A 1110

Guide profile



11109

U-PROFILES

Item no.	Description
1109/...	25x17 zinc-plated steel U-profile. L = 2 / 3 / 4 / 5 and 6 m
1109A/...	25x18 raw aluminium U-profile. L = 2 / 2.5 / 3 / 5 and 6 m
1110/...	30x30 zinc-plated steel U-profile. L = 3 / 4 / 5 and 6 m
1110XA2/3	30x30 A2 stainless steel U-profile. L = 3 m
1110XA2/6	Ditto for 6 m long tracks
1110XA4/3	30x30 A4 stainless steel U-profile. L = 3 m (coastal)
1110XA4/6	Ditto for 6 m long tracks (coastal)
11109/300*	20x24 anodised aluminium U-profile (14 on inside). L = 3 m.
11109/600*	Ditto for 6 m long tracks

* profiles are available in raw aluminium (to paint) upon request

ISOLATED GUIDING - GROOVED LEAVES

Item no.	Description	1109	1110	11109
1109DU	Guide with 1 nylon guide roller on S8 dowel.	X		X
1110DU	Guide with 1 brass guide roller on S10 dowel.		X	
1112/2	Adjustable guide with 2 nylon guide rollers on stainless steel plate.	X		X
1103RG	White plastic adjustable slider (14 to 30 mm) with screw and S6 dowel.	X	X	X
1103RG3	Ditto, black plastic	X	X	X
1103RG2	Black plastic adjustable slider (14 to 30 mm) Can be used for bracket and/or sill mounting.	X	X	X
11110GDU*	Grey plastic slider with screw and S6 dowel.		X	
11110GU*	Grey plastic slider to be screwed in.		X	
1110GDL	White nylon slider to be screwed in – 100 x 25 x 25 mm		X	
1102XA2	Guide with 1 nylon guide roller on stainless steel plate to be screwed in.	X		X
1099XA2	Guide with 1 brass guide roller on stainless steel plate to be screwed in.		X	

* also suitable for 4 mm flat bar

SPECIAL ISOLATED GUIDE FOR SLOPING SILLS

Item no.	Description	1109	1110	11109
1131XRG	Grey plastic slider on stainless steel tiltable plate	X	X	X
1131DXRG	Double white plastic slider on tiltable stainless steel plate	X	X	X



1109/... - 1109A/...



1110/...



11109



1109DU



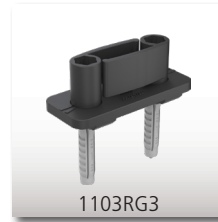
1110DU



1112/2



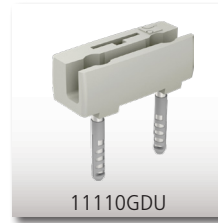
1103RG



1103RG3



1103RG2



11110GDU



11110GU



1110GDL



1102XA2



1099XA2



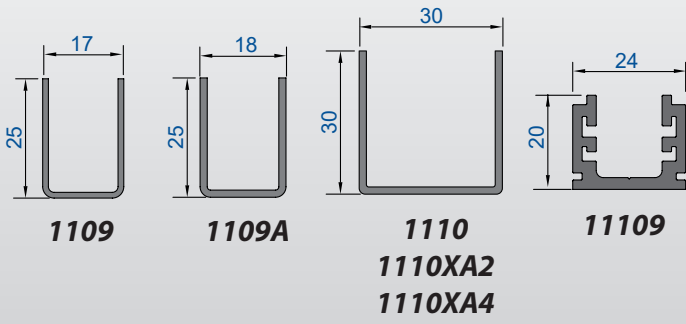
1131XRG



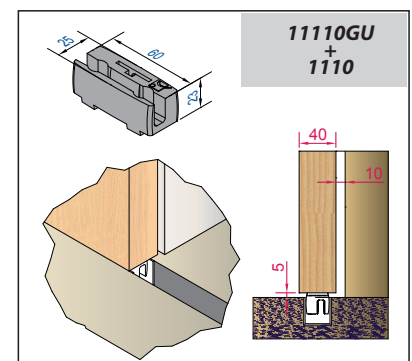
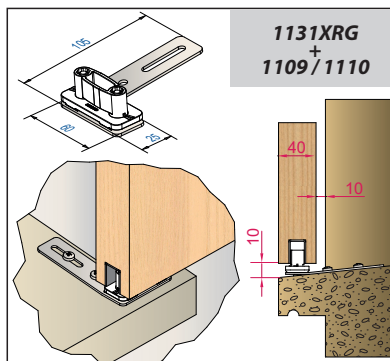
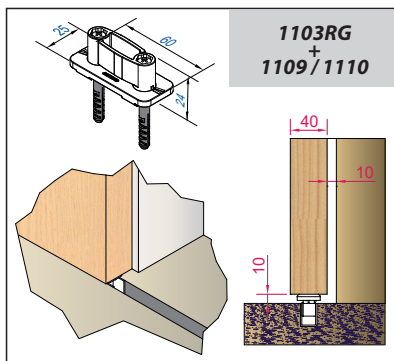
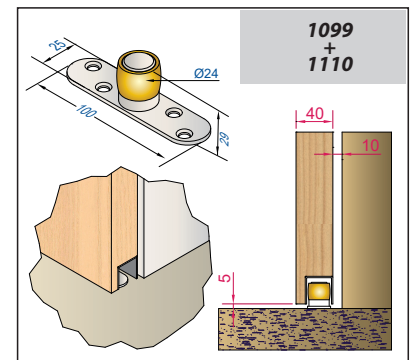
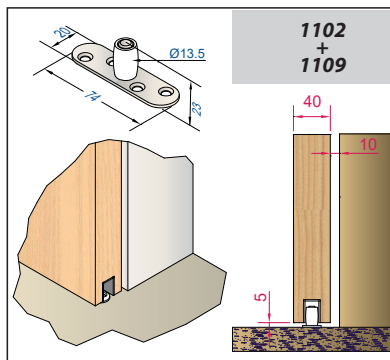
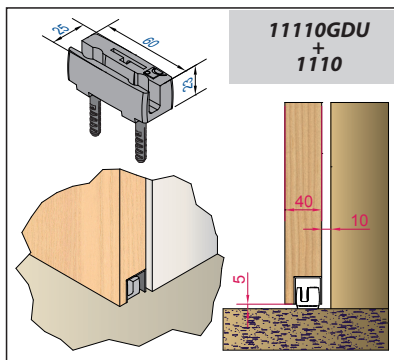
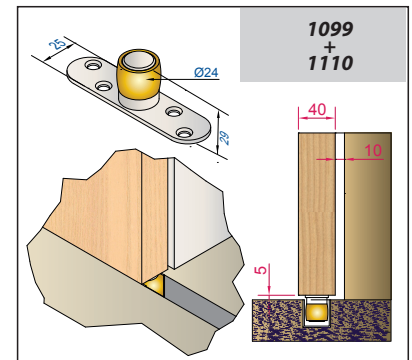
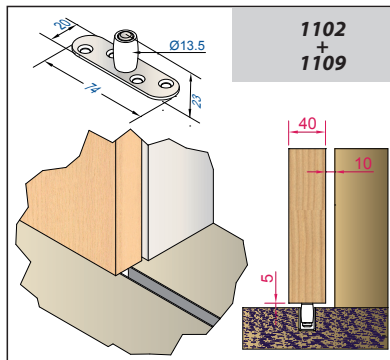
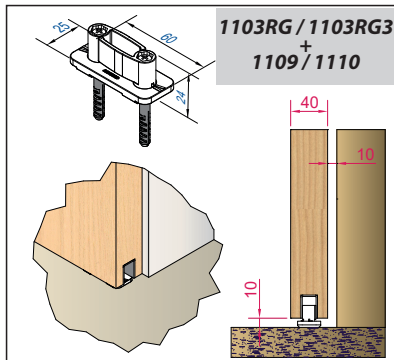
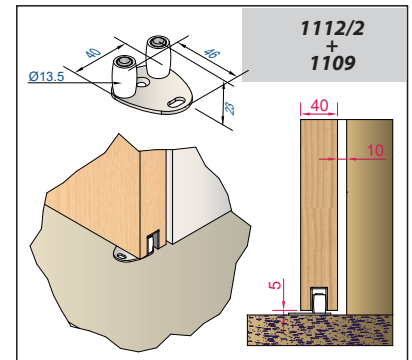
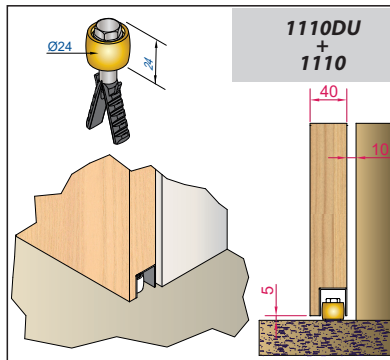
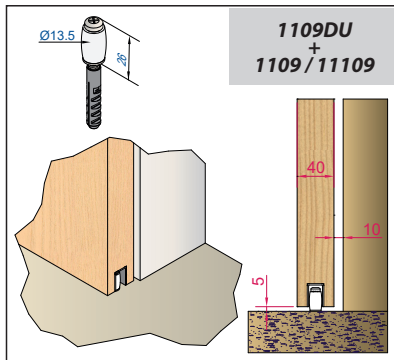
1131DXRG

Guide for sliding shutters

MOUNTING EXAMPLES



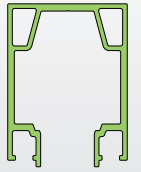
SLIDING





System for folding sliding shutters

WIN-Fold 2



CAPACITY PER PANEL	20 kg
PANEL THICKNESS	30-34 mm
PANEL DIMENSIONS	600 x 3000 mm max. 0.9 m ² max. (solid)
TRACK	ALUMINIUM
MOVEMENT	FOLDING STRAIGHT

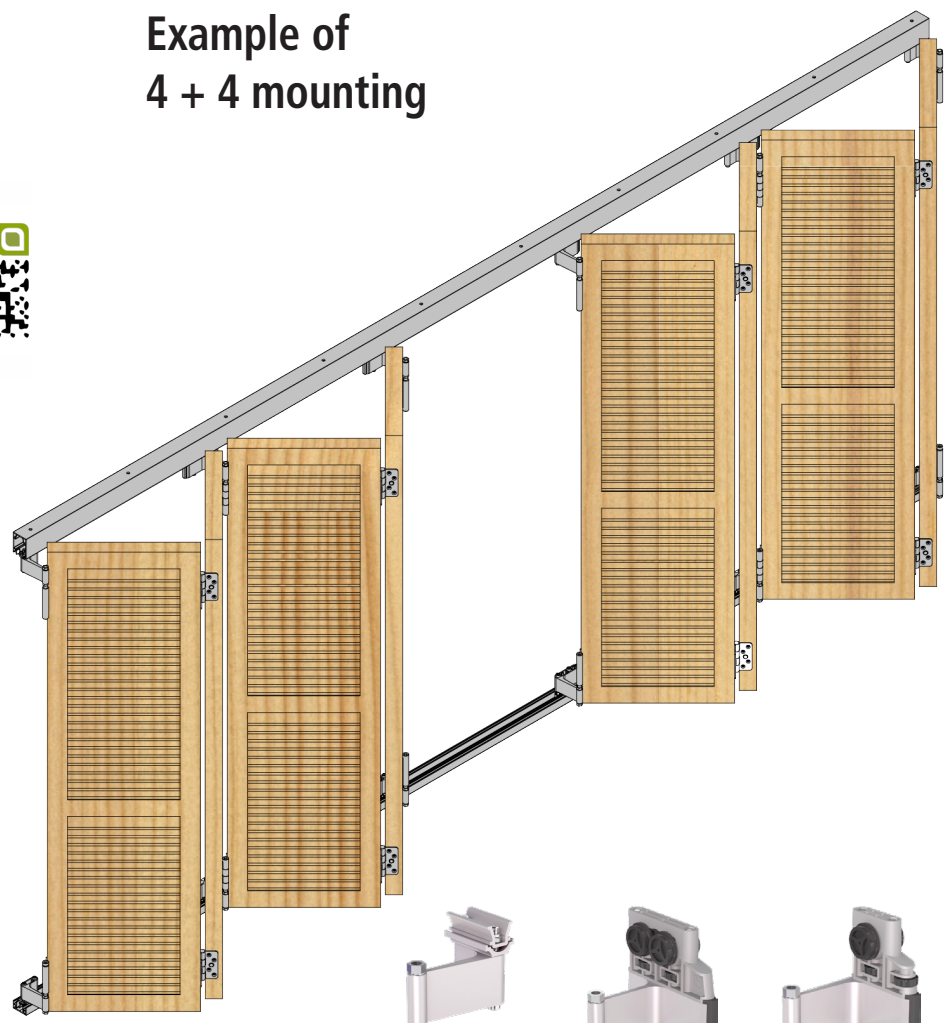
SlidSoft

match up your projects

to determine the components needed for your specifications, all configurations must be validated by MANTION



Example of 4 + 4 mounting



For use in coastal environments (less than 3 km) **Contact us**



Upper track
Guide profile reveal fitting
Guide profile face mounting

OPTIONS

Lock

Hold open



WIN-FOLD2: all the experience of the European specialist in one system – reliable, silent, attractive.

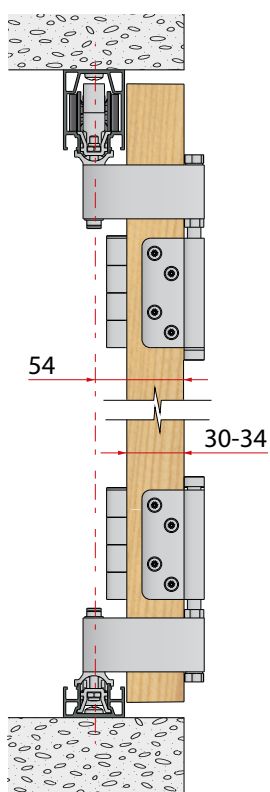
- **NEAT:** the track is concealed behind the leaves so the latter can be mounted flush with the façade.
- **TECHNICAL:** the fasteners are stainless steel and the hanger and guide bodies are anodised aluminium. The frames are made of fibreglass-reinforced technical polymer. The aluminium tracks are available with an anodised finish, painted (RAL) or untreated.
- **INGENIOUS:** The rollers are mounted on ball bearings and equipped with a ball joint for perfectly smooth movement.
- **PRACTICAL:** options such as a system for holding the leaves open and 1 or 2-point locking.

WIN-Fold 2

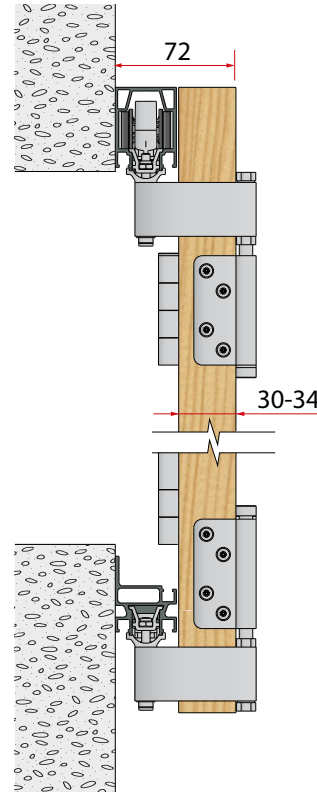
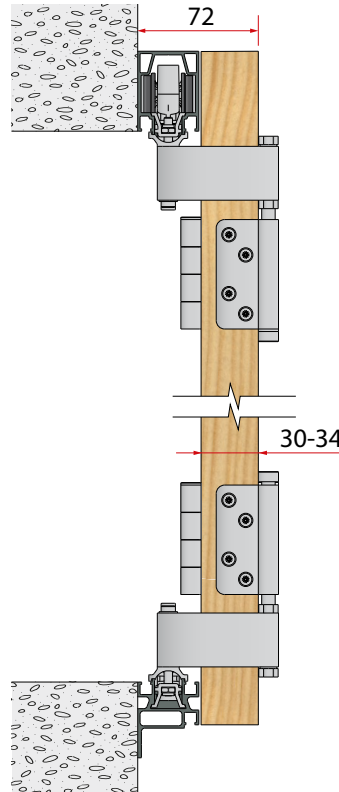


SLIDING FOLDING

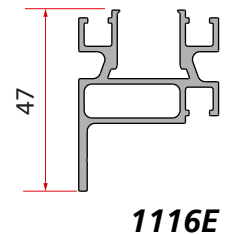
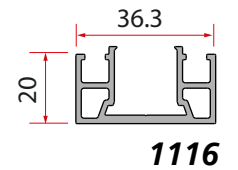
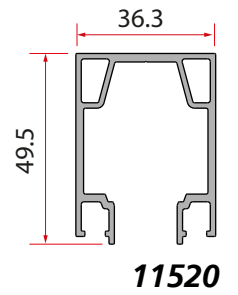
Reveal fitting



Face mounting



Track & Profiles



SlidSoft 
match up your projects

Your personalised **sliding solution**
online and adapted to your needs!



- Quick and easy choice of configuration type
- Instructions and drawings available for download
- Product details with visualisation window
- Calculate the dimensions of your shutters and of the sliding system
- Allows you to enter your client code to obtain a price quotation

Installation instructions are available to download on int.mansion.com



Drive system for swing shutters

WIBAT® Invisible drive



CAPACITY PER PANEL	Single: 50 KG & 1.6 M ² (Min. 30 cm Max. 80 cm) Double: 60 KG & 2 M ² (Min. 30 cm Max. 90 cm)
MOTOR TYPE	MOTORISED HINGE PIN
SUPPLY VOLTAGE	24V DC
INSTALLATION	New or renovation
MOVEMENT	SWING

WIBAT® DRIVE KIT WITH WIRELESS REMOTE CONTROL

Item no.	Description
Kit for 1 leaf- Single and double drive kits	
W0000070	Single drive kit (right) including: - 1 right-hand motorised hinge pin Ø 14 mm* - 1 control box + 1 wireless remote control C0004770 - 1 drilling template and 1 retaining ring for sealing in wall - Fasteners and installation instructions
W0000040	Ditto containing 1 left-hand motorised hinge pin Ø 14 mm*
W0000720	Double drive kit (right) including: - 2 right-hand motorised hinge pins Ø 14 mm* - 1 control box + 1 wireless remote control C0004770 - 1 drilling template and 2 retaining rings for sealing in wall - Fasteners and installation instructions
W0000270	Ditto containing 2 left-hand motorised hinge pins Ø 14 mm*
Kit for 2 leaves - Single and double drive kits	
W0000010	Single drive kit (left and right) including: - 2 motorised hinge pins Ø 14 mm* (1 left and 1 right) - 1 control box + 1 wireless remote control C0004770 - 1 drilling template and 2 retaining rings for sealing in wall - 4 fastening screws for shutters + installation instructions
W0000240	Double drive kit (left and right) including: - 4 motorised hinge pins Ø 14 mm* (2 left and 2 right) - 1 control box + 1 wireless remote control C0004770 - 1 drilling template and 4 retaining rings for sealing in wall - 8 fastening screws for shutters + installation instructions

* for 12 - 16 or 18 mm hinge pins: contact us

WIBAT® DRIVE KIT WITH WIRED REMOTE CONTROL

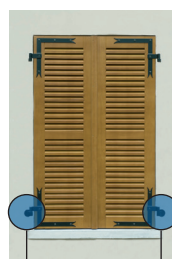
Kit for 1 leaf - Single and double drive kits	
W0000080	Single drive kit (right) including: - 1 right-hand motorised hinge pin Ø 14 mm - 1 control box + 1 wired remote control C0001050 - 1 drilling template and 1 retaining ring for sealing in wall - Fasteners and installation instructions
W0000050	Ditto containing 1 left-hand motorised hinge pin Ø 14 mm*
W0000730	Double drive kit (right) including: - 2 right-hand motorised hinge pins Ø 14 mm* - 1 control box + 1 wired remote control C0001050 - 1 drilling template and 2 retaining rings for sealing in wall - Fasteners and installation instructions
W0000290	Ditto containing 2 left-hand motorised hinge pins Ø 14 mm*
Kit for 2 leaves - Single and double drive kits	
W0000020	Single drive kit (left and right) including: - 2 motorised hinge pins Ø 14 mm* (1 left and 1 right) - 1 control box + 1 wired remote control C0001050 - 1 drilling template and 2 retaining rings for sealing in wall - 4 fastening screws for shutters + installation instructions
W0000250	Double drive kit (left and right) including: - 4 motorised hinge pins Ø 14 mm* (2 left and 2 right) - 1 control box + 1 wired remote control C0001050 - 1 drilling template and 4 retaining rings for sealing in wall - 8 fastening screws for shutters + installation instructions

* for 12 - 16 or 18 mm hinge pins: contact us

	Single drive 1 leaf	Double drive 1 leaf	Single drive 2 leaves	Double drive 2 leaves		
Wireless	W0000070	W0000040	W0000720	W0000270	W0000010	W0000240
Wired	W0000080	W0000050	W0000730	W0000290	W0000020	W0000250

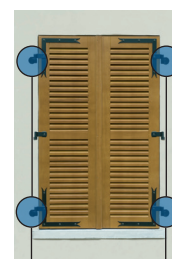


Single drive kit:
1 motorised hinge pin per leaf



Left Right

Double drive kit:
2 motorised hinge pins per leaf



Left Right



Distance hinge pin/reveal: 30 mm min.
Use steel or stainless steel strap hinges
at least 5 mm thick



see other accessories p.30-31

WIBAT®, the motorised hinge pin for automatic opening and closing of swing shutters

Wibat® is all about invisibility. Easy to install, the motorised hinge pin is entirely concealed in your wall.

- Open your shutters without opening your windows (significantly reduces heat loss)
- Thanks to WIBAT® you can now use those shutters you couldn't reach (behind a worktop, bath tub, etc.), ideal for disabled users.
- More comfortable to use, long-lasting, smooth opening to the angle you choose.
- 100% French, WIBAT® is individually tested and comes with a 5-year warranty at no extra cost.
- WIBAT is equipped with obstacle detection for personal safety.
- Suitable for all shapes of shutter.



WIBAT®

SWINGING

Installation video



IMPLEMENTATION

1

Drilling



2

Fitting



3

Sealing



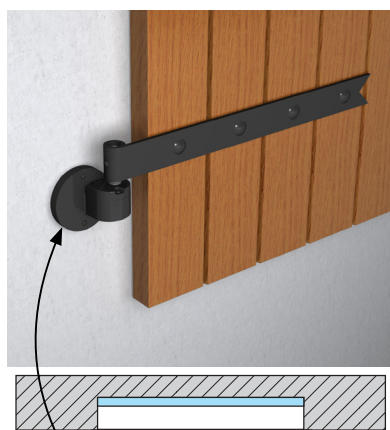
4

Shutter installed



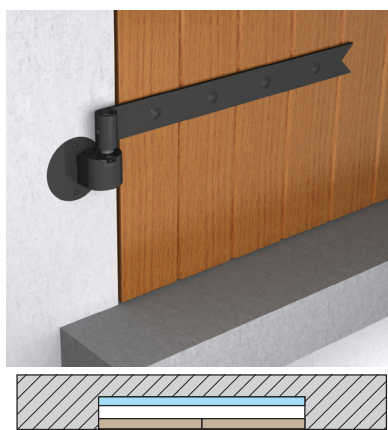
2 TYPES OF INSTALLATION POSSIBLE

FACE MOUNTING



For this type of installation, use ring **C0000545** 10 mm offset from façade

REVEAL FITTING

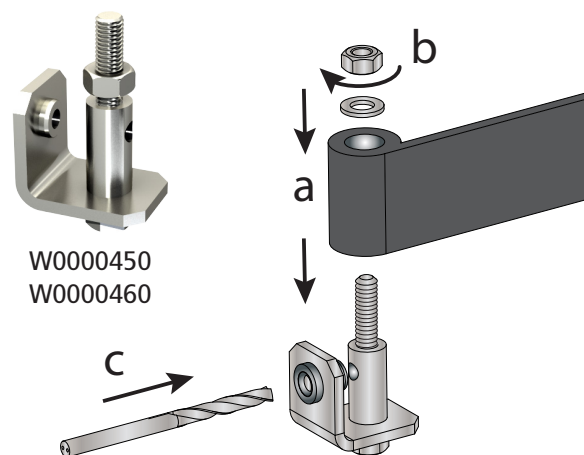


Use steel or stainless steel strap hinges at least 5 mm thick

EASY AND PRACTICAL



Easy drilling of strap hinges



W0000450
W0000460



Drive system for swing shutters

WIBAT® APPLIQUE arm drive



CAPACITY PER PANEL	50 KG & 1.6 M ² MAX. Min. 40 cm Max. 80 cm
MOTOR TYPE	MOTORISED ARM
SUPPLY VOLTAGE	230V
INSTALLATION	New or renovation
MOVEMENT	SWING

WIBAT® APPLIQUE DRIVE KIT - WIRELESS REMOTE CONTROL

Item no.	Description
Kit for 1 leaf - Max. area/leaf: 1.6 m² - Max. weight/leaf: 50 kg	
W0001030	Drive kit (right) including: - 1 right-hand motor unit - 1 arm + slide channels, white RAL 9010* - 1 wireless remote control C0004770 - Fasteners, installation template and instructions
W0001020	Ditto containing 1 left-hand motor
Kit for 2 leaves - Max. area/leaf: 1.6 m² - Max. weight/leaf: 50 kg	
W0001000	Drive kit (left and right) including: - 2 motor units (1 right and 1 left) - 2 arms + slide channels, white RAL 9010* - 1 wireless remote control C0004770 - Fasteners, installation template and instructions

* available in other colours upon request

WIBAT® APPLIQUE DRIVE KIT - WIRED REMOTE CONTROL

Kit for 1 leaf - Max. area/leaf: 1.6 m² - Max. weight/leaf: 50 kg	
W0001060	Drive kit (right) including: - 1 right-hand motor unit - 1 arm + slide channels, white RAL 9010* - 1 wired switch (2 push buttons) C0001050 - Fasteners, installation template and instructions
W0001050	Ditto containing 1 left-hand motor unit
Kit for 2 leaves - Max. area/leaf: 1.6 m² - Max. weight/leaf: 50 kg	
W0001040	Drive kit (left and right) including: - 2 motor units (1 right and 1 left) - 2 arms + slide channels, white RAL 9010* - 1 wired switch (2 push buttons) C0001050 - Fasteners, installation template and instructions

* available in other colours upon request

see other accessories p.30-31

CLOSURE ACCESSORIES

W0000760	Electromagnetic closure (24 V DC – cable length = 3 m): - keeps shutter closed in case of strong winds (holding force: 12 daN) - Effective deterrent against intrusions To equip 1 pair of shutters (can be positioned at the top or bottom)
W0000770	Ditto for 1 pair of shutters with 2 electromagnetic closures (top and bottom)
W0000400	Stainless steel multi-leaf link for motorising linked leaves to help open and close multi-leaf swing shutters. Min. and max. width of leaves: min. = 400 mm, max. = 650 mm
W0000470*	Electromagnetic closure (24 V DC – cable length: 3 m) cable exits on side, bolt on left side for swing shutter Holding force: 80 daN
W0000471*	Ditto with bolt on right side
W0000472*	Ditto W0000470 with vertical cable exit
W0000473*	Ditto W0000471 with vertical cable exit

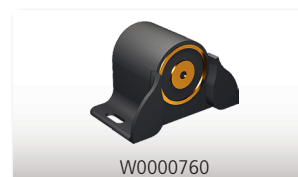
* see explanations for the choice of closure on page 31

	Drive 1 leaf	Drive 2 leaves
Wireless	W0001030	W0001000
Wired	W0001060	W0001040



RAL 9010

Available in other colours upon request



WIBAT® APPLIQUE, the drive system for curved or rounded swing shutters

Very simple to install, for new or renovation projects, Wibat® Applique can be used on all types of swing shutters and enables you to keep your existing shutters.

- Quick and easy installation Available with wireless and wired remote control
- One press of a button and all your shutters close (can be integrated into a home automation system).
- With WIBAT® APPLIQUE, you can stop the shutters in half-open position.
- WIBAT® APPLIQUE opens your shutters without the need to open your windows, significantly reducing heat loss!
- Now you can use those shutters you couldn't reach (e.g. worktop, bath tub).
- WIBAT® APPLIQUE is equipped with obstacle detection to ensure personal safety: when there is an obstacle, the shutter returns to its initial position.



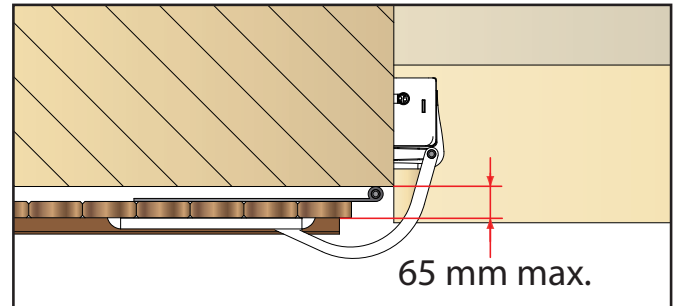
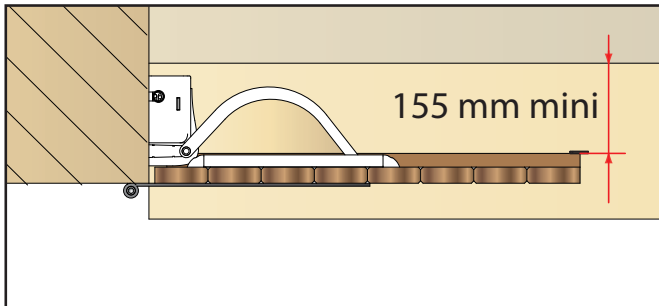
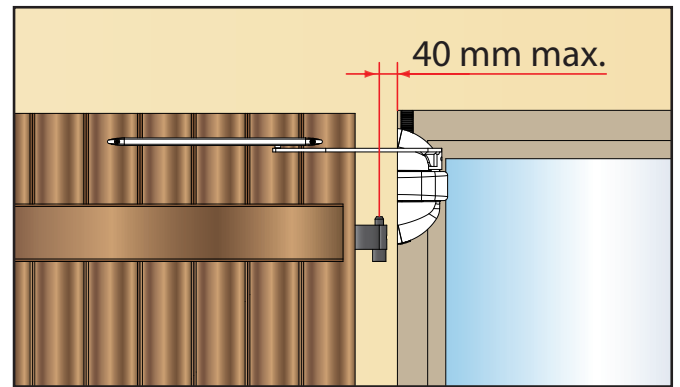
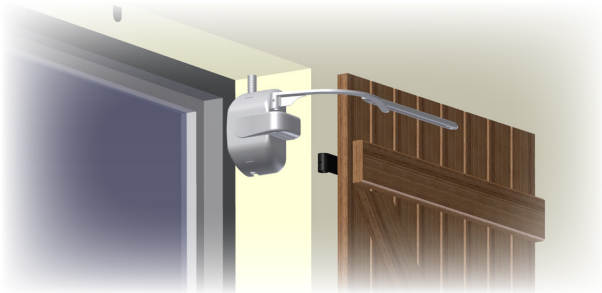
Installation video



WIBAT® APPLIQUE

SWINGING

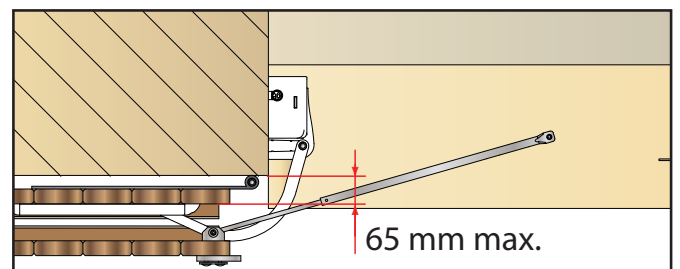
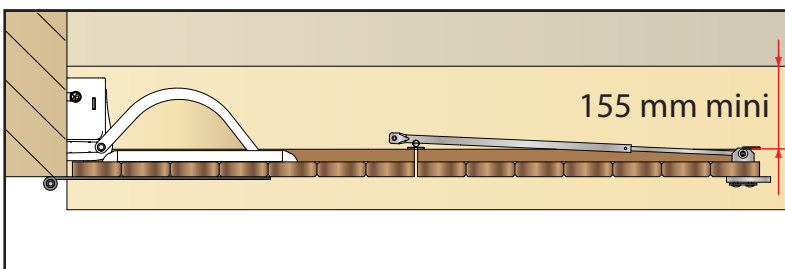
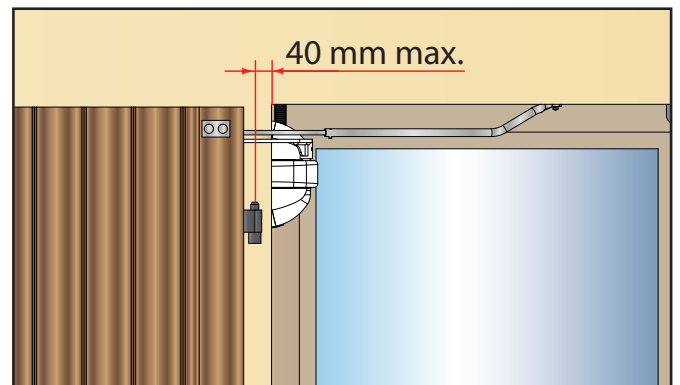
Installation configuration with 2 leaves



Installation configuration with 2 linked leaves



use of multi-leaf link essential





Drive system for swing shutters

WIBAT® LINTEAU arm drive



CAPACITY PER PANEL	50 KG & 1.6 M ² MAX. Min. 40 cm Max. 80 cm
MOTOR TYPE	MOTORISED ARM
SUPPLY VOLTAGE	230 V AC
INSTALLATION	New or renovation
MOVEMENT	SWING

SINGLE DRIVE KIT FOR 400 TO 800 MM OPENINGS

Item no.	Description
W0001310	1 motor kit with wireless control for openings with 1 shutter including: - 1 motor unit (supplied with 1 right-hand arm and 1 left-hand arm - white*) - 1 white casing set* - 1 wireless remote control C0004770 - 1 installation template + fastening screws and instructions
W0001360	Ditto, version with 1 wired switch C0001050

DOUBLE DRIVE KIT FOR 800 TO 1300 MM OPENINGS

W0001300	2-motor kit with wireless control for openings with 2 shutters including: - 2 motor units (supplied with 1 right-hand arm and 1 left-hand arm - white*) - 1 white casing set* - 1 wireless remote control C0004770 - 1 installation template + fastening screws and instructions
W0001350	Ditto, version with 1 wired switch C0001050

DOUBLE DRIVE KIT FOR 1300 TO 1860 MM OPENINGS

W0001330	2-motor kit with wireless control for openings with 2 shutters including: - 2 motor units (supplied with 1 right-hand arm and 1 left-hand arm - white*) - 1 casing set* - 1 wireless remote control C0004770 - 1 installation template + fastening screws and instructions
W0001380	Ditto, version with 1 wired switch C0001050

DOUBLE DRIVE KIT FOR 1850 TO 2400 MM OPENINGS

W0001340	2-motor kit with wireless control for openings with 2 shutters including: - 2 motor units (supplied with 1 right-hand arm and 1 left-hand arm - white*) - 1 casing set* - 1 wireless remote control C0004770 - 1 installation template + fastening screws and instructions
W0001390	Ditto, version with 1 wired switch C0001050

* Also available as standard:

- White casing (RAL 9010) – Black arm (9005)
- Brown casing (RAL 8019) – Black arm (9005)
- Raw (to paint)



CLOSURE ACCESSORIES

W0000760	Electromagnetic closure (24 V DC – cable length: 3 m): - keeps shutter closed in case of strong winds (holding force: 12 daN) - Effective deterrent against intrusions To equip 1 pair of shutters (can be positioned at the top or bottom)
W0000770	Ditto for 1 pair of shutters with 2 electromagnetic closures (top and bottom)
W0000400	Stainless steel multi-leaf link for motorising linked leaves to help open and close multi-leaf swing shutters. Min. and max. width of leaves: min. = 400 mm, max. = 650 mm
W0000470**	Electromagnetic closure (24V DC – cable length: 3 m) cable exits on side, bolt on left side for swing shutter Holding force: 80 daN
W0000471**	Ditto with bolt on right side
W0000472**	Ditto W0000470 with vertical cable exit
W0000473**	Ditto W0000471 with vertical cable exit

* see explanations for the choice of closure on page 31

	Drive 1 leaf	Drive 2 leaves
Wireless	Openings from 400 to 800 mm: W0001310	Openings from 800 to 1300 mm: W0001300 Openings from 1300 to 1840 mm: W0001330 Openings from 1850 to 2400 mm: W0001340
Wired	Openings from 400 to 800 mm: W0001360	Openings from 800 to 1300 mm: W0001350 Openings from 1300 to 1840 mm: W0001380 Openings from 1850 to 2400 mm: W0001390

RAL 9010

Available in other colours upon request



If your shutter/window configuration is not covered by the dimensions to be checked:
Contact us! Other arms are available!



see other accessories p.30-31

WIBAT® LINTEAU, the automatic system that allows you to motorise swing shutters simply and easily

Available in several models in different widths, Wibat® Linteau fits all windows and openings perfectly.

- Easy to install: no parts requiring cutting to size. The product fits into the opening. Quick and easy to install. French product, 5-year warranty
- With WIBAT® LINTEAU, you can stop the shutters in half-open position.
- Suitable for new or renovation projects, WIBAT® LINTEAU allows you to keep your existing shutters and can be fitted to all types of swing shutters. Presence simulation when combined with a timer (option).
- Available with wireless and wired remote control.
- WIBAT® LINTEAU opens your shutters without the need to open your windows, significantly reducing heat loss!
- Now you can use those shutters you couldn't reach (e.g. worktop, bath tub).
- Equipped with obstacle detection to ensure personal safety: when there is an obstacle, the shutter returns to its initial position.

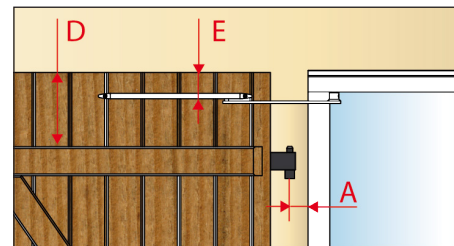
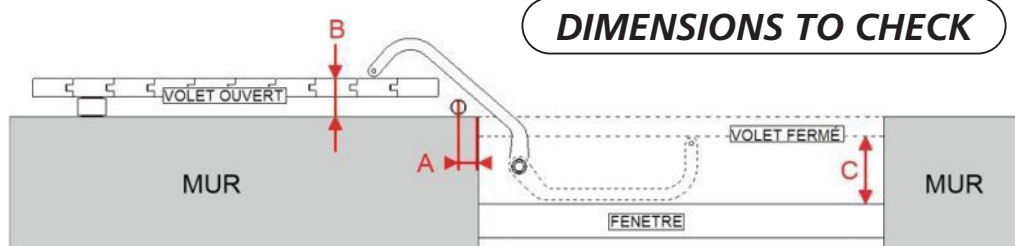


installation video

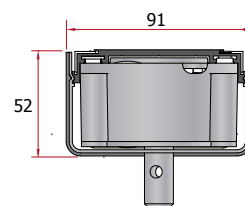


SWINGING

DIMENSIONS TO CHECK



- Dimension **A**: Distance from frame to hinge pin axis = **40 mm max.***
- Dimension **B**: Distance from wall to outside of shutter (excluding brace) = **65 mm max.***
- Dimension **C**: Distance between window and closed shutter = **150 mm min.***
- Dimension **D**: Distance between top of shutter and upper cross-piece = **90 mm min.***
- Dimension **E**: Arm fastening area on shutter to top of shutter = **70 mm min.***



* Dimensions so that the standard kit will fit. For any other configuration (100 mm lintel, deeper arm, etc.) please contact us (other arms are available)

CASING:

- Quick and easy installation (no cutting!)
- Neat finish



MOTOR TECHNICAL DATA	
Maximum output	100W
Supply voltage	195/230V AC - 50/60 Hz
Motor voltage	24V DC
Motor torque	25 Nm
Degree of protection	IP24
Type of limit switch	Dynamic (stops on obstacle detection)
Opening/closing time	16 seconds
S3 – intermittent periodic duty cycle	30 s use every 10 min
Motor speed	2 rpm
Operating temperature	-20 / +60 °C
Radio frequency	433.92 MHz
Standby power	< 2 W
Colours	White RAL 9010, Brown RAL 8019 or Raw

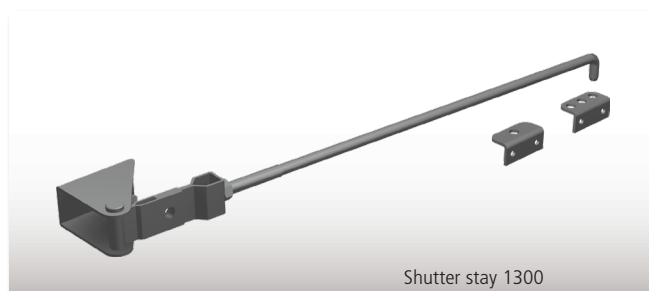
Complies with the following standards:

- EN 60335-1+A1+A2+A11+A12+A13+A14 (2003)
- EN 61000-6-3 (2007) +A1 (2011)
- EN 60335-2-103+A1 (2004)
- EN 61000-6-1 (2007)
- NF P26-341



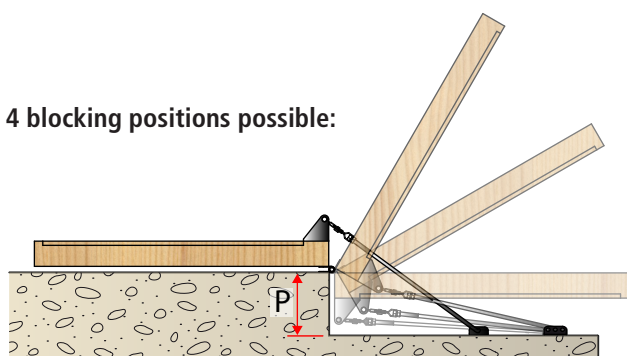
SHUTTER STAYS

Item no.	Description
1300	Shutter stay with hook for swing shutters. Black electrocoated finish. <u>Set includes:</u> - 1 clevis with hook. L = 463 mm max. - 2 adjustable eye latches - Installation instructions 4 blocking positions possible: closed, sunshade, half-open, open Maximum reveal depth: 300 mm
1300L	Shutter stay with hook for swing shutters. Black electrocoated finish. <u>Set includes:</u> - 1 clevis with hook. L = 578 mm max. - 2 adjustable eye latches - installation instructions 4 blocking positions possible: closed, sunshade, half-open, open Maximum reveal depth: 400 mm



Note: This item must not be used for leaves larger than 700 x 1400 mm

4 blocking positions possible:



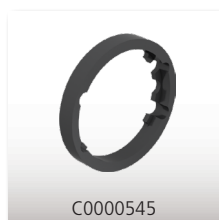
P = Depth of reveal



MISCELLANEOUS ACCESSORIES

FITTING ACCESSORIES - WIBAT (motorised hinge pins)

C0000545	Black anodised aluminium finishing ring, 10 mm thick – to be fixed on the motor box if used for face mounted shutters.
C0000470	Sealing kit for 1 motor including: 1 cartridge (300 ml), 1 screen (Ø 65 mm) and 1 nozzle
C0000485	Sealing kit for 2 motors including: 2 cartridges (300 ml), 2 screens (Ø 65 mm) and 2 nozzles
C0000525	2 screens (Ø 65 mm) + 2 nozzles
W0000990	Drive housing (steel + electrocoating): ideal for outer insulation 125 (L) x 150 (H) x 200 (D) mm
W0000450	Drilling template for Ø 14 to 18 mm hinge pins. Essential for drilling strap hinges, whether made from iron or aluminium.
W0000460	Ditto for Ø 12 mm hinge pins.



POWER SUPPLY UNITS

C0000265	220V/24V DC 100W power supply for up to 2 motors. Dimensions: 70 x 63 x 88 mm (L x D x H)
W0000230	220V/24V DC 100W power supply for up to 2 motors. In a box for flush mounting Ø 68 mm - depth 60 mm
C0000275	220V/24V DC 240W power supply for up to 16 motors. Dimensions: 63.5 x 135 x 140 mm (L x D x H)



CLOSURE ACCESSORIES

W0000400	Stainless steel multi-leaf link for motorising linked leaves to help open and close multi-leaf swing shutters. Min. and max. width of leaves: min. = 400 mm, max. = 650 mm
----------	--



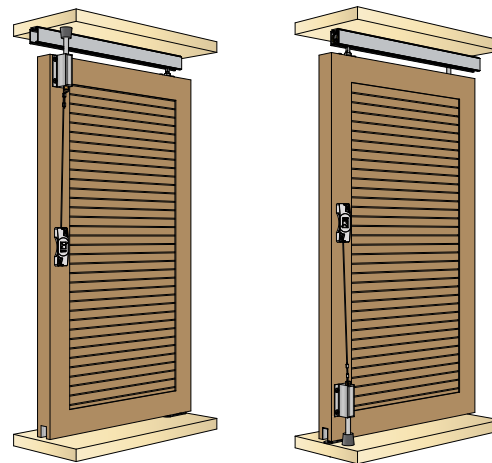
MOTOR CONTROLS (SLIDING & FOLDING)

Item no.	Description
C0004780	433.92 MHz wireless RF switch, white
C0001050	Wired switch with 2 push buttons
C0004760	Repeater to double the range, RF programming
C0004770	Programmable 433.92 MHz 4-channel remote control + holder



STOPS & LATCHES

C0012119N	Black composite swing shutter stop (Ø27 x 40 mm)
C0012119BE	Ditto, in beige
C0012119BL	Ditto, in white
1313	Nickel-plated brushed metal latch with stainless steel latch catch, fastened onto the upright of the opening. Travel = 18 mm
1317A	Latch with lever, RAL 9006 grey colour Height = 170 mm – Travel = 20 mm
1326A	Latch with lever, RAL 9006 grey colour Height = 260 mm – Travel = 20 mm
1351A	Latch with lever, RAL 9006 grey colour Height = 510 mm – Travel = 20 mm
1317G	Keeper for slide bolts 1317A, 1326A and 1351A.
1310BR	Locking system to hold a sliding shutter/shade screen in any position. Simply pull and hold the cable to release the leaf. Then release the cable to hold the leaf in place again. 2 m long sheathed stainless steel cable.



2 possible installations:
floor or ceiling blocking



ELECTROMAGNETIC & ELECTROMECHANICAL CLOSURES

W0000760	Electromagnetic closure (24 V DC – cable length: 3 m): - keeps shutter closed in case of strong winds (holding force: 12 daN) - effective deterrent against intrusions To equip 1 pair of shutters (can be positioned at the top or bottom)
W0000770	Ditto for 1 pair of shutters with 2 electromagnetic closures (top and bottom)
W0000470	Electromagnetic closure (24V DC – cable length: 3 m) cable exits on side, bolt on left side for swing shutter. Holding force: 80 daN
W0000471	Ditto with bolt on right side
W0000472	Ditto W0000470 with vertical cable exit
W0000473	Ditto W0000471 with vertical cable exit

Choosing the electromechanical closure:

*Both tables show item numbers for closures with cable exiting on the side.
Use the conversion table to find the equivalent with vertical cable exit.*

Openings with 1 leaf		
Hinge pin side/shutter		Type of mounting:
left*	right*	
W0000470	W0000471	on sill
W0000471	W0000470	under lintel

* seen from outside

Openings with 2 leaves		
Shutter locks on		Type of mounting:
Left*	Right*	
W0000471	W0000470	on sill
W0000470	W0000471	under lintel

* seen from outside



W0000760

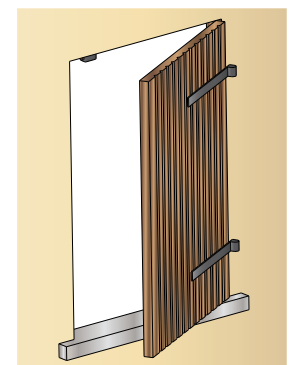
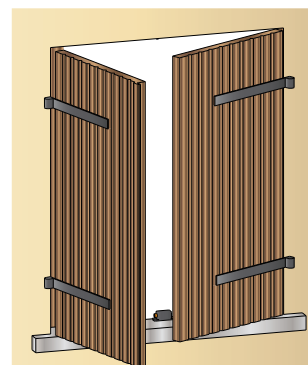


W0000470

Mounting on sill

Mounting under lintel

Conversion table according to cable exit			
side exit		vertical exit	
	↔		
W0000470		W0000473	
	↔		
W0000471		W0000472	





SLIDSOFT®

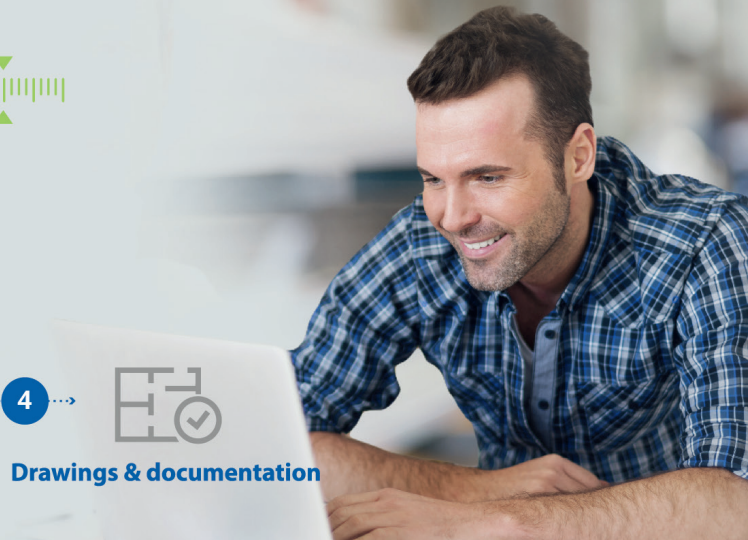
- Quick and easy choice of configuration type
- Calculates the dimensions of your shutters, doors and gates
- Complete list of required products
- Product details with visualisation window
- Instructions and drawings available for download
- Allows you to enter your customer code to obtain a price quotation
- The quotation is automatically transferred to the sales department should you decide to go ahead with the order

SLIDSOFT® : online configurator

You can find SLIDSOFT® at WWW.MANTION.FR



Your personalised **sliding solution** online and adapted to your needs!



DEVIS N° DSGP130420160002
PORTE EN VERRE - SAFGLASS

Fait le : 13/04/2016 Devis valable jusqu'au : 13/06/2016

Pour l'entreprise :
 À l'attention de :
 Adresse :

Référence client :
 Ref client : - Ref chantier : - Ref baie : -

Données d'entrées

Type de fixation	Fixation murale
Hauteur de baie - H (m)	2.2 m
Largeur de baie - O (m)	1.5 m
Nombre de baies identique	1
Distance de refoulement - R (m)	1 m
Poids d'un vantail (Kg)	67.7 kg
Type de porte	1 vantail
Type de déplacement	Manuel
Sens d'ouverture	Ouverture à droite
Finition du bandeau de porte	RAL: 5015 - Bleu ciel
Finition du bandeau de rail	RAL: 5015 - Bleu ciel

Résultats

Largeur de la porte - L (m)	1.56 m
Hauteur de la porte - P (m)	2.17 m
Épaisseur de verre - Ep (mm)	8 mm
Longueur du rail - B (m)	3.13 m
Longueur du bandeau de rail (m)	3.19 m
Longueur du bandeau de porte (m)	1.56 m
Longueur de courtoise (m)	0 m

Mantion SAS ne garantit pas les performances ou les résultats obtenus avec le logiciel. Mantion SAS n'est pas tenue d'accepter une commande basée sur les résultats obtenus avec le logiciel. Le fait d'accepter une telle commande ne vaut pas garantie de ces résultats.

Mantion SAS - 7 rue Guy Lussac - 25000 BESANCON - Tél +33 3 81 50 56 77 - Fax +33 3 81 53 29 76 - mantion@mantion.com

Setting out the details of your project is easy!
 Simply enter the dimensions of your opening and your chosen options.
 You will also have access to the full details of the products and plans.



DEVIS N° DSGP130420160002
PORTE EN VERRE - SAFGLASS

Fait le : 13/04/2016 Devis valable jusqu'au : 13/06/2016

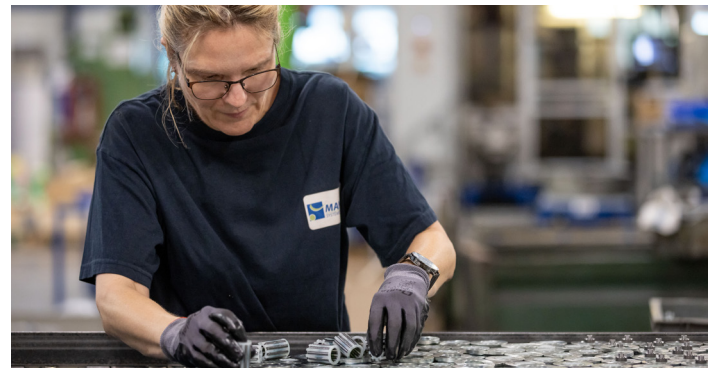
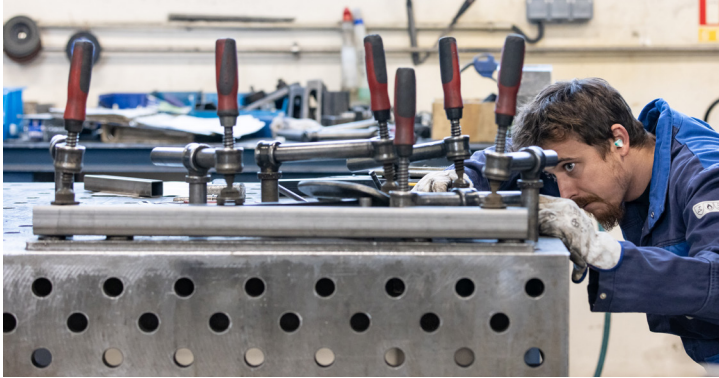
References	Désignation	Quantité	Prix HT €	TOTLIG
11106400	RAIL ALU SIMPLE VOIE EN 4M MANTION®	1.00		
046214	BANDEAU MURAL PEINT 50M MANTION®	1.00		
044072	HABILITAGE FINICE 8 PENTE/5 SPECIALE 50M MANTION®	1.00		
034020	GAINFURE PORTE VERRE 80X80 MANTION®	1.00		
11013	ECLUSE DE FIXATION SAF RAIL SIMPLE MANTION®	9.00		
11046	JEU D'EMBOÛTS ALU POUR RAIL SIMPLE VOIE MANTION®	1.00		
102101	POIGNEE BOUTON 37MM POLYCARBONATE MANTION®	1.00		

Total = €

Commentaires :

Mantion SAS ne garantit pas les performances ou les résultats obtenus avec le logiciel. Mantion SAS n'est pas tenue d'accepter une commande basée sur les résultats obtenus avec le logiciel. Le fait d'accepter une telle commande ne vaut pas garantie de ces résultats.

Mantion SAS - 7 rue Guy Lussac - 25000 BESANCON - Tél +33 3 81 50 56 77 - Fax +33 3 81 53 29 76 - mantion@mantion.com



The INTERIOR DESIGN RANGE

113

Systems for:

- FOLDING doors
- SEPARATING doors
- POCKET doors



The CUPBOARD DOORS RANGE

153

Systems for:

- BUILT-IN CUPBOARD doors
- CABINET doors



The Opentec® range

Straight folding-sliding systems for:

- FRAMELESS GLASS PANELS
- WOOD PANELS
- GLAZED OPENINGS WITH WOOD JOINERY
- GLAZED OPENINGS WITH STEEL JOINERY

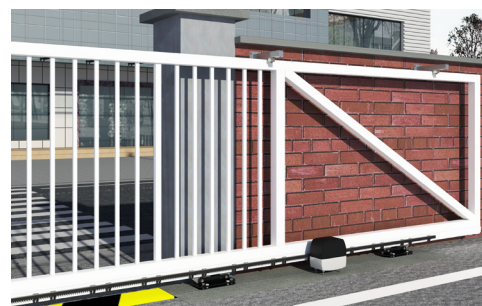


The GATES range

411

Systems and motorised drives for:

- CANTILEVER gates
- Gates ON GROUND TRACKS
- HINGED gates



The SPORTUB® range

211

Sliding systems for:

- STRAIGHT sliding doors up to 2000 kg
- ROUND THE CORNER doors
- FOLDING doors with same-size panels
- ACCORDION doors with half-panels
- UP AND OVER doors

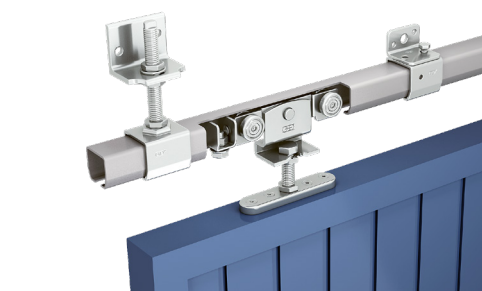


The HERCULE® range

911

Sliding systems for:

- STRAIGHT sliding doors up to 3000 kg
- ROUND THE CORNER doors
- FOLDING doors with same-size panels
- ACCORDION doors with half-panels



0021	Plate	17
0023	Plate	17
0026	Plate	17
0026XA2	Plate	6 - 17
0026XA4	Plate	8
0027XA2	Plate	6
0031	Clevis	16
0036	Plate	14 - 16
0036XA2	Plate	14
0037	Plate	14 - 16
0037XA2	Plate	14
0051	Clevis	15 - 16
0056	Plate	15 - 16
0056XA2	Plate	15
0623	Hanger	17
0633D	Hanger	16
0653D	Hanger	16
10171	Fixed point	7
10172/...	Cog belt	7 - 14
10185	Mounting bracket	14 - 16
10185XA2	Mounting bracket	14
10186/250	Pelmet	14 - 16
10186/250XA2	Pelmet	14
10186A/125	Pelmet	14 - 16
10186A/250	Pelmet	14 - 16
10187/250	Profile	14 - 16
10187/250XA2	Profile	14
10189	Pulley	14
10190	Pulley	7
10191	Joining bracket	14
10192	Driving bracket	7
10213XA2	Claw stop	14
1054	Guide	18
1098-1	End stop	16
1099XA2	Guide	20
1102XA2	Guide	20
1103RG	Slider	20
1103RG2	Slider	20
1103RG3	Slider	20
1109/...	Profile	18 - 20
1109A/...	Profile	18 - 20
1109DU	Guide	20
1110/...	Profile	18 - 20
11109/...	Profile	20
11109E/...	Profile	18
1110DU	Guide	20
1110GDL	Slider	8 - 20
1110XA2/.	Profile	18 - 20
1110XA4/.	Profile	8 - 18 - 20
11110GDU	Slider	20
11110GU	Slider	20
1112/2	Guide	20
11121/...	Profile	18
11122/...	Profile	18
11123	Spacers	18
11208/600	Track	6
11208A/600	Track	8
11263/600	Pelmet	6 - 8 - 10
11263L/600	Pelmet	6
11264L/600	Pelmet	6 - 8
11266	Pelmet end caps	6 - 8 - 10
11266L	Pelmet end caps	6
11266M	Pelmet end caps	6
11267L	Pelmet end caps	6 - 8

11267M	Pelmet end caps	6
11269	Pelmet clamps	6 - 8 - 10
1128	Guide	18
11280LXA2	Hanger	6
11280LXA4	Hanger	8
11280XA2	Hanger	6
11280XA4	Hanger	8
11286XA2	End stop	6
11286XA2-SYN	End stop	7
11286XA4	End stop	8
1128A	Guide	18
1128ARG	Guide	18
1128D	Guide	18
1128GU	Guide	18
1129	Slider	18
11291	Joining bracket	7
11293	Mounting bracket	6
11293A	Mounting bracket	8
11293D	Mounting bracket	6
11293MXA4	Track connector	7 - 8
11295	Track bracket - ceiling	7 - 10
1129D	Slider	18
1130	Guide	18
1131DXRG	Slider	20
1131XRG	Slider	20
1197	Claw stop	17
1300	Shutter stays	30
1300L	Shutter stays	30
1310BR	Locking system	31
1313	Bolt	31
1317A	Bolt	31
1317G	Keeper	31
1326A	Bolt	31
1351A	Bolt	31
2521	Box bracket	17
2521M	Joining bracket	17
2525F/...	Track	17
2528S	Mounting bracket	17
2531/125	Pelmet	17
2531/250	Pelmet	17
3530/...	Track	16
3531	Box bracket	16
5040/...	Track	16
5141	Box bracket	16
5141M	Joining bracket	16
5144	Box bracket	16
5144M	Joining bracket	16
9010/...	Track	14
9010XA2/...	Track	14
9011	Box bracket	14
9011XA2	Box bracket	14
9030/...	Track	15
9030XA2/...	Track	15
9038H	Box bracket	15
9038H2	Box bracket	15
9038HXA2	Box bracket	15
9038V	Box bracket	15
9038V2	Box bracket	15
9038VXA2	Box bracket	15
9138	Stop	15
9139XA2	Stop	15
9235N	Track	15
9235XSA2	Hanger	15
9318N	Hanger	14

9318NLX	Hanger	14
C0000265	Power	30
C0000275	Power	30
C0000470	Sealing kit	30
C0000485	Sealing kit	30
C0000525	Screen + nozzles	30
C0000545	Finishing ring	30
C0001050	Wired switch	31
C0004760	Repeater	31
C0004770	Remote control	31
C0004780	Wireless RF switch	31
C0007640	Wireless RF switch	31
C0012119BE	Stop	31
C0012119BL	Stop	31
C0012119N	Stop	31
C0012620	Harness extension	12
K0001170	Battery pack	12
W0000010	WIBAT wireless kit	24
W0000020	WIBAT wired kit	24
W0000040	WIBAT wireless kit	24
W0000050	WIBAT wired kit	24
W0000070	WIBAT wireless kit	24
W0000080	WIBAT wired kit	24
W0000240	WIBAT wireless kit	24
W0000250	WIBAT wired kit	24
W0000270	WIBAT wireless kit	24
W0000290	WIBAT wired kit	24
W0000720	WIBAT wireless kit	24
W0000730	WIBAT wired kit	24
W0000230	Power	30
W0000400	Multi-leaf link	26 - 28 - 30
W0000450	Drilling template	30
W0000460	Drilling template	30
W0000470	Electromechanical closure	26 - 28 - 31
W0000471	Electromechanical closure	26 - 28 - 31
W0000472	Electromechanical closure	26 - 28 - 31
W0000473	Electromechanical closure	26 - 28 - 31
W0000760	Electromagnetic closure	26 - 28 - 31
W0000770	Electromagnetic closure	26 - 28 - 31
W0000990	Drive housing	30
W0001000	WIBAT APPLIQUE kit	26
W0001020	WIBAT APPLIQUE kit	26
W0001030	WIBAT APPLIQUE kit	26
W0001040	WIBAT APPLIQUE kit	26
W0001050	WIBAT APPLIQUE kit	26
W0001060	WIBAT APPLIQUE kit	26
W0001300	WIBAT LINTEAU double kit	28
W0001310	WIBAT LINTEAU single kit	28
W0001330	WIBAT LINTEAU double kit	28
W0001340	WIBAT LINTEAU double kit	28
W0001350	WIBAT LINTEAU double kit	28
W0001360	WIBAT LINTEAU single kit	28
W0001380	WIBAT LINTEAU double kit	28
W0001390	WIBAT LINTEAU double kit	28
W0002500	SYCOMM motor	12
W0002510	SYCOMM motor	12
W0002520	SYCOMM motor	12
W0002530	SYCOMM motor	12
W0002600	SYCOMM motor	12
W0002610	SYCOMM motor	12
W0002620	SYCOMM motor	12
W0002630	SYCOMM motor	12
WSLIDE-2RGV1	WIN-SLIDE 2 set	10
WSLIDE-R2GV2	WIN-SLIDE 2 set	10



MANTION® SAS

7 rue Gay Lussac | 25000 Besançon - France
Tel. + 33 3 81 50 56 77 | Fax + 33 3 81 53 29 76
Email: mantion@mantion.com



Germany / Austria

Germany / Austria
Mantion Baubeschläge GMBH

Dieselstraße 18
D-42579 Heiligenhaus
Tel. + 49 2056 58 26 90
Fax. + 49 2056 58 26 99
E-mail: info@mantion.de
www.mantion.de

Middle East

Middle East
Dubai Branch Office

Jafza South, unit no. S101 23 O 032,
Jebel Ali Free Zone, Dubai, UAE
Dubai & Bahrain: Tel. +971 56 174 58 44
Rest of the Middle East: +971 56739 66 11
Email: export@mantion.com
www.mantion.com

South-East Asia

South-East Asia
Mantion South-East Asia

Sovereign Plaza Lantai 8 Unit D E
Jl. TB Simatupang No.Kav. 36, Kec. Cilandak,
Jakarta Selatan, 12430
INDONESIA
Email: export@mantion.com
www.mantion.com

Eastern Europe

Eastern Europe
Mantion Polska

ul Boruty 2a
PL-03 769 Warszawa
Tel. + 48 22 818 77 22
Fax. + 48 22 818 99 78
Email: biuro@valcomp.com.pl
www.valcomp.com.pl

India

India
Mantion India Private Ltd

G-19, T.V. Estate, 248/A, S.K. Ahire Marg. Worli
Mumbai - 400030. INDIA
Mobile: +91 0 9819 30 38 78
Email: support.india@mantion.com
www.mantion.com

North America

North America
Mantion Canada

12-360 boul. Séminaire N
Saint-Jean-sur-Richelieu
Québec J3B 5L1
Tel. + 1 (450) 529 1315
Email: contact@mantion-na.com
www.mantion.ca

Mantion USA

Mantion US INC
450 7th avenue, suite 1501
New York NY 10123
Tel. + 1 (475) 289-0254
E-Mail: contact@mantion-us.com
www.mantion.us