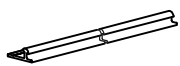




# MITRA | MT12, MT15, MT18

211-070, 211-071, 211-072



x4



x4



x4



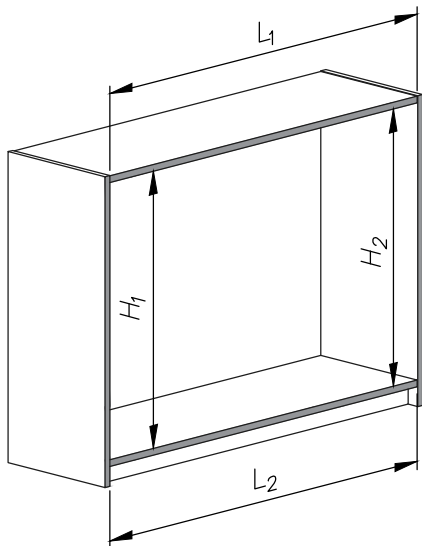
x2



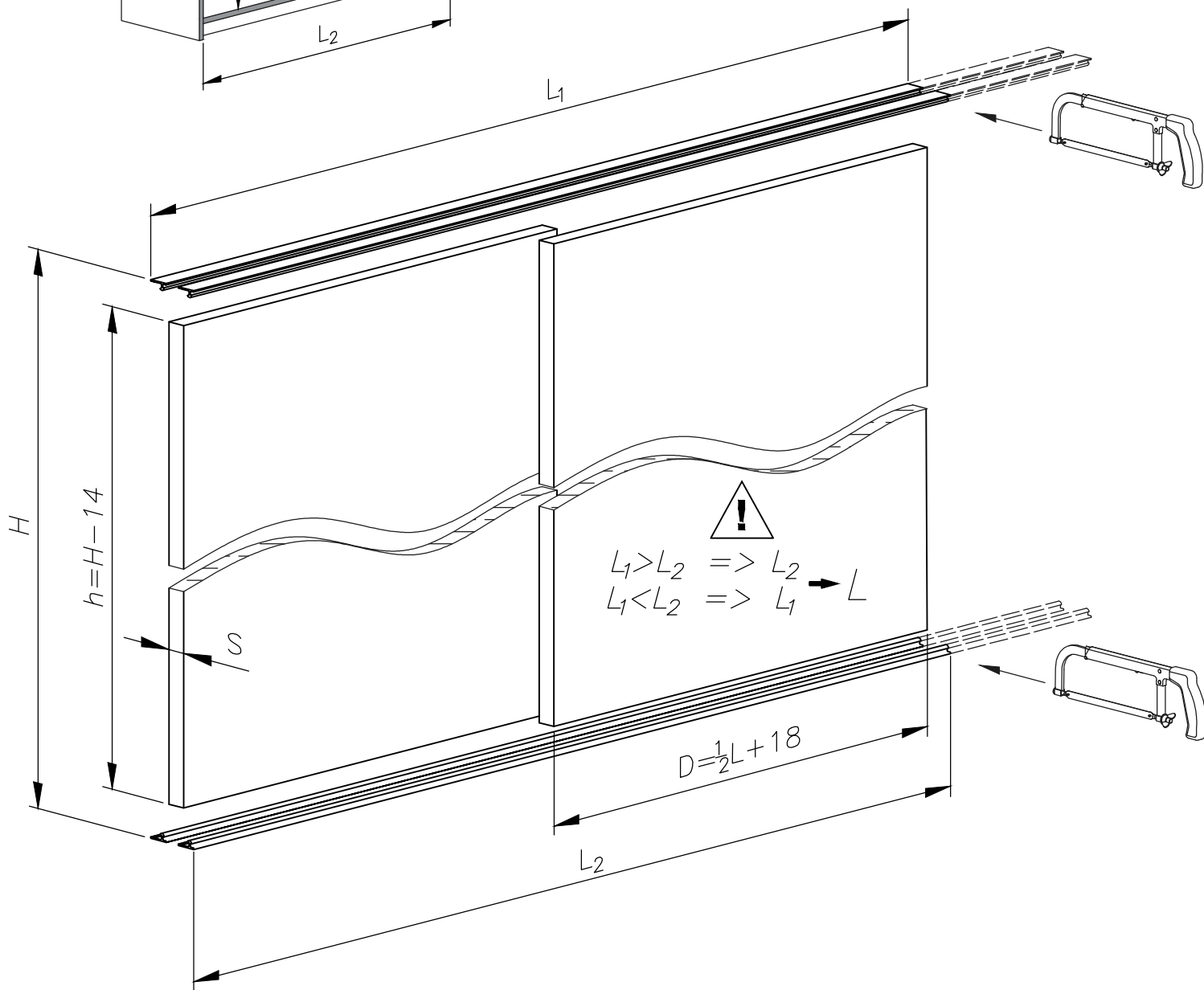
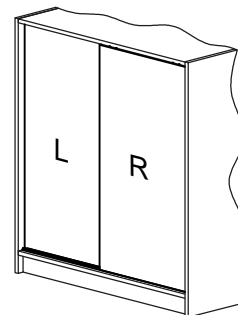
x1



1

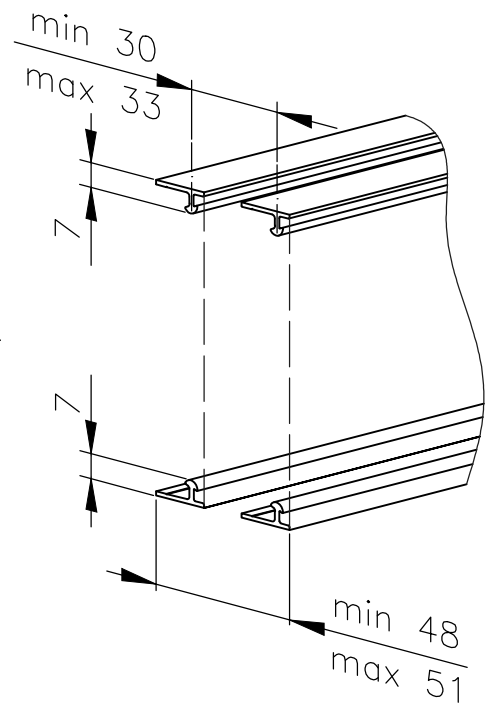
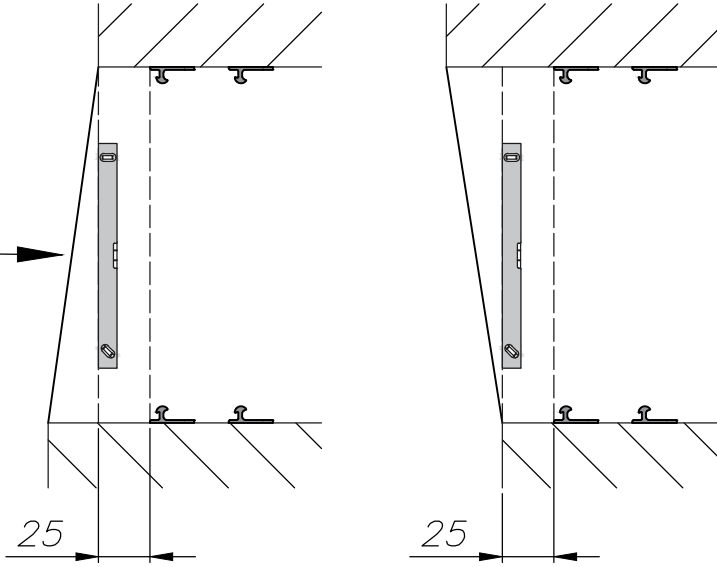


$$\begin{aligned} H_1 > H_2 &\Rightarrow H_2 \rightarrow H \\ H_1 < H_2 &\Rightarrow H_1 \rightarrow H \end{aligned}$$



2

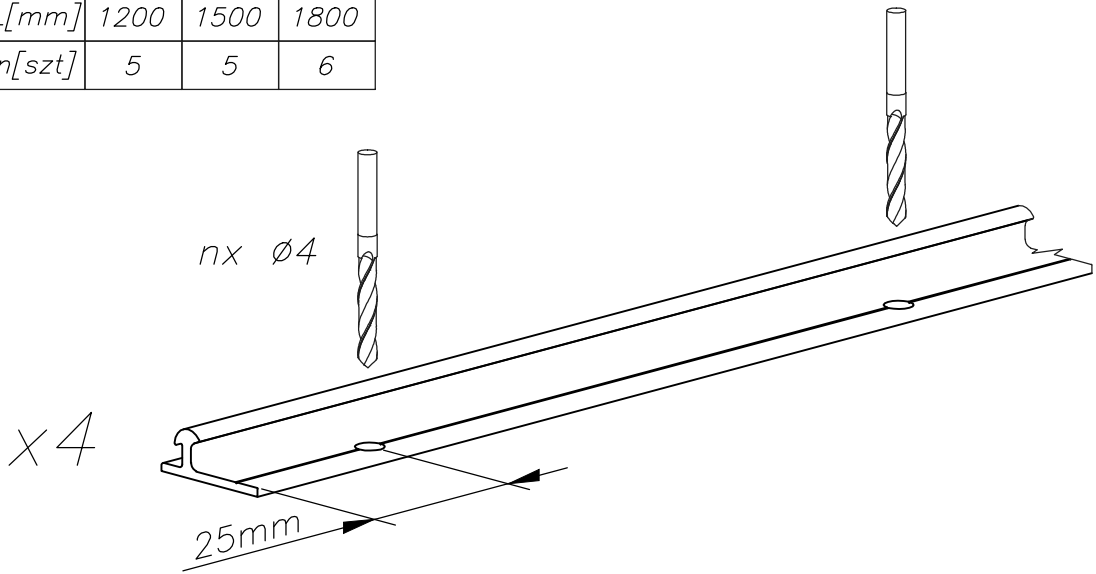
FRONT



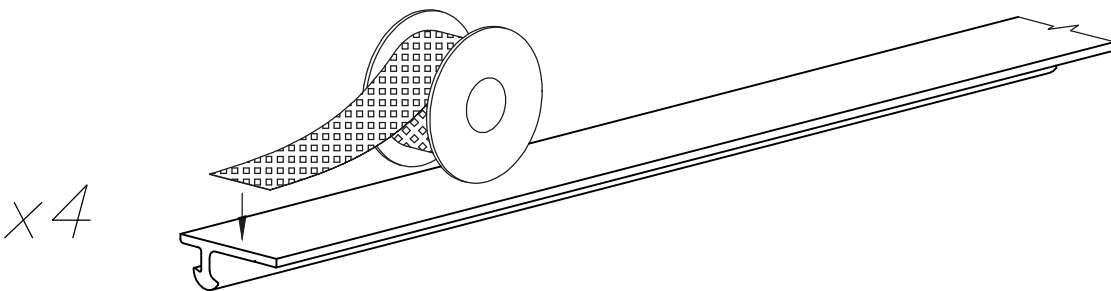
3a



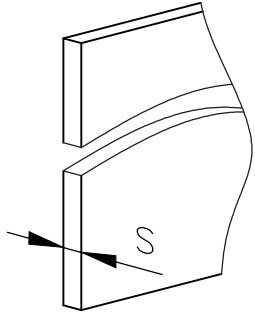
L[mm]	1200	1500	1800
n[szt]	5	5	6



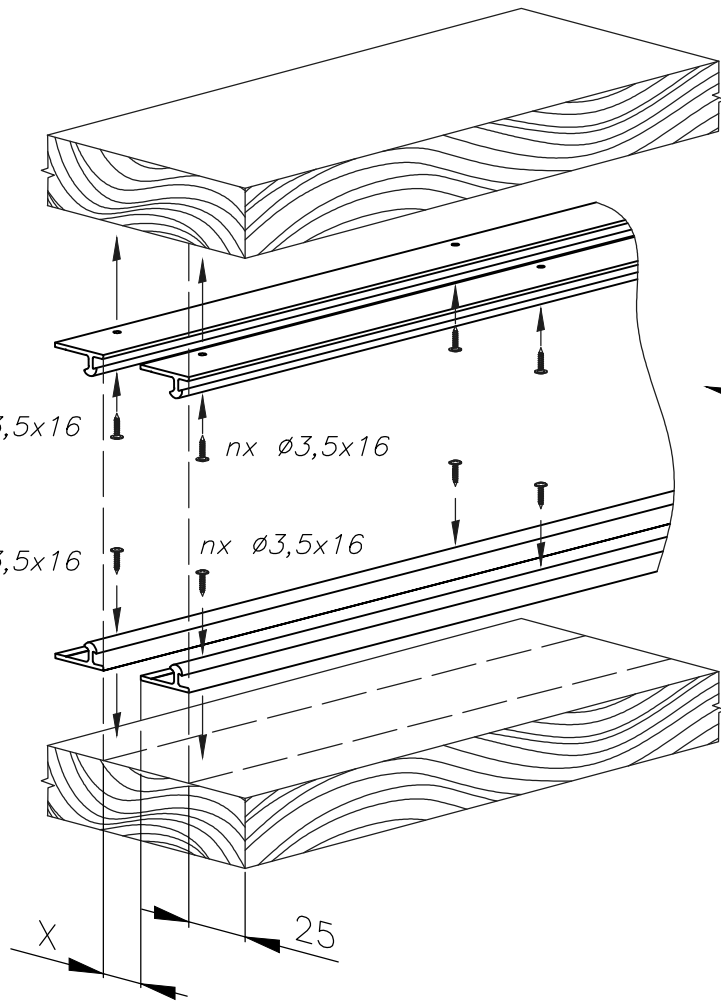
3b



# 4a



$n \times \varnothing 3,5 \times 16$   
 $n \times \varnothing 3,5 \times 16$   
 $n \times \varnothing 3,5 \times 16$   
 $n \times \varnothing 3,5 \times 16$



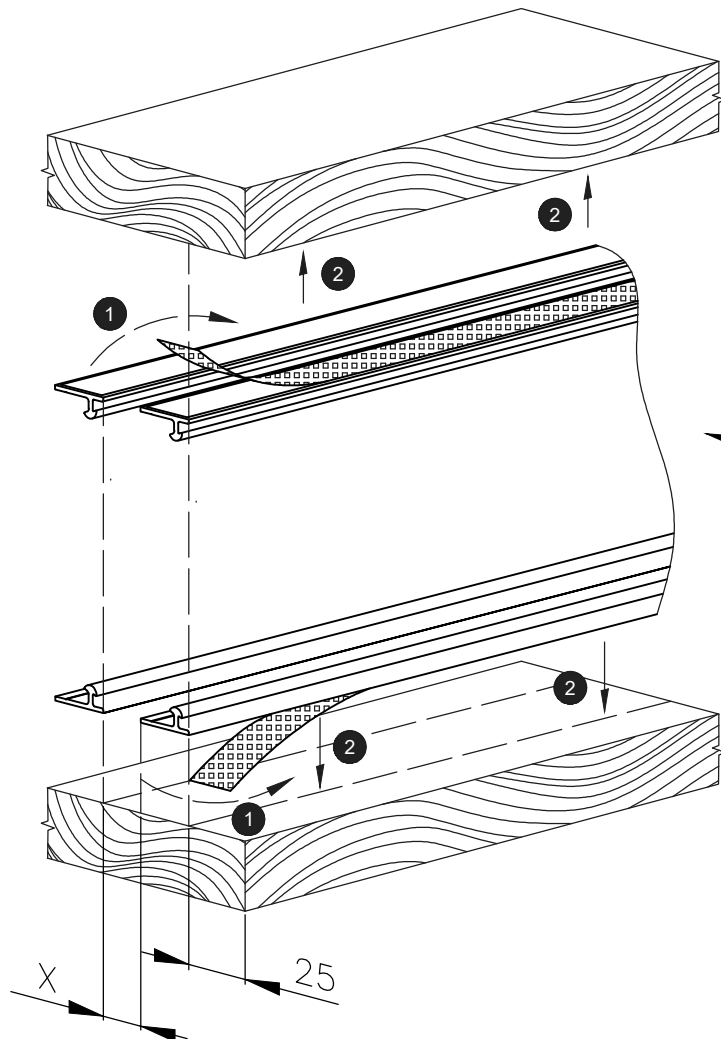
FRONT

$S[mm]$	16	18	19
$X[mm]$	12	14	15

# 4b

x2

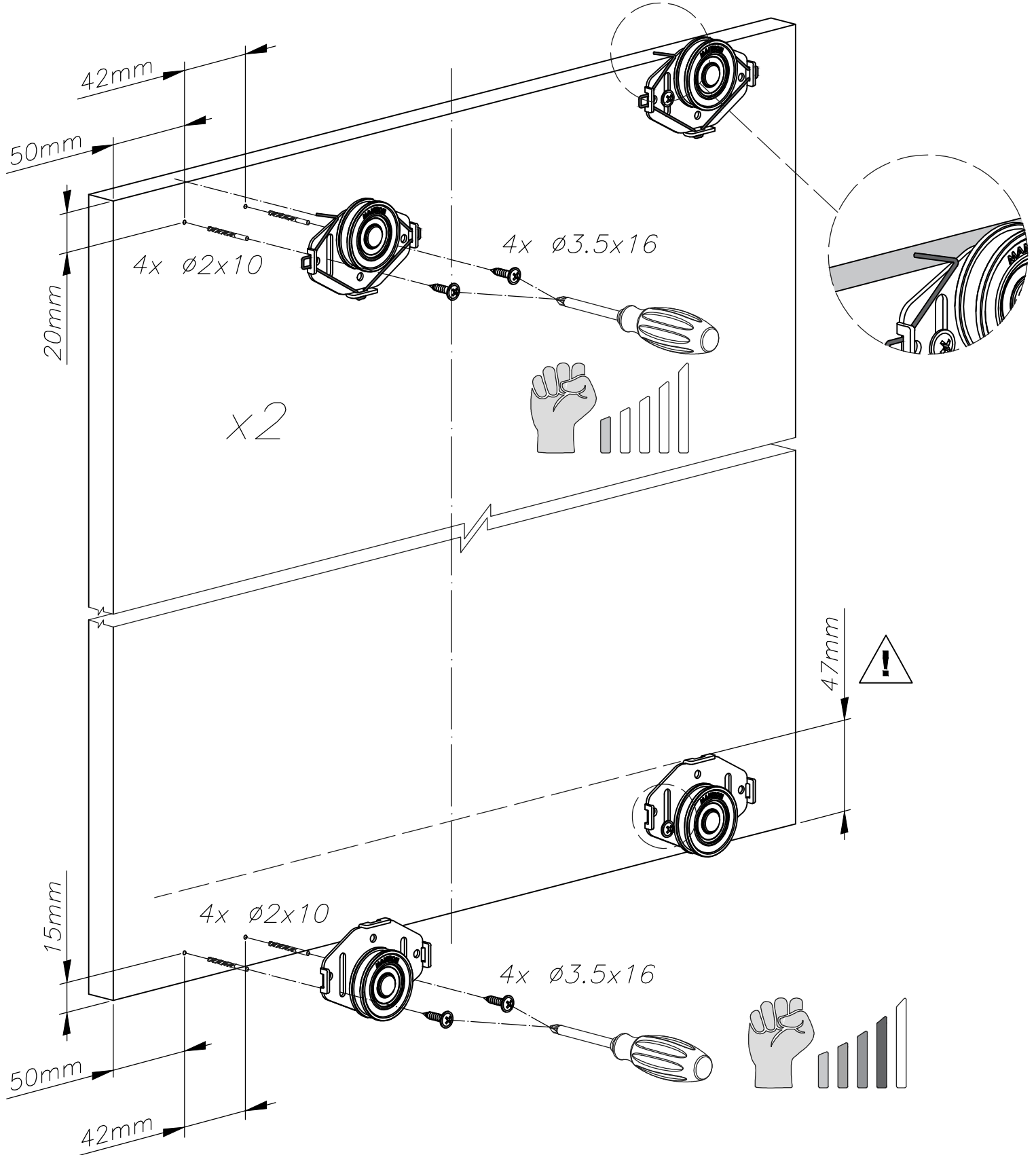
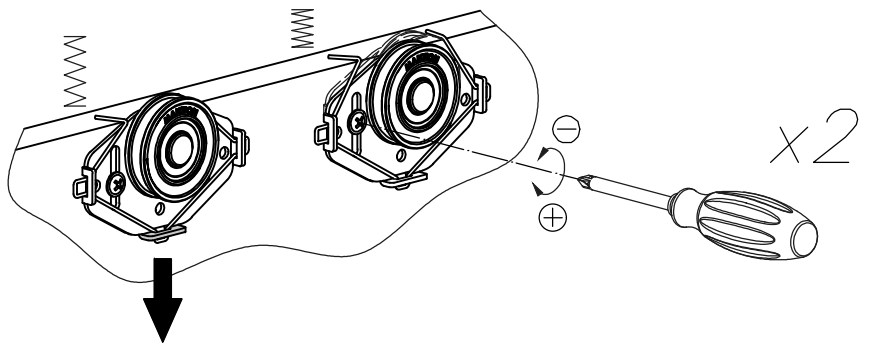
x2



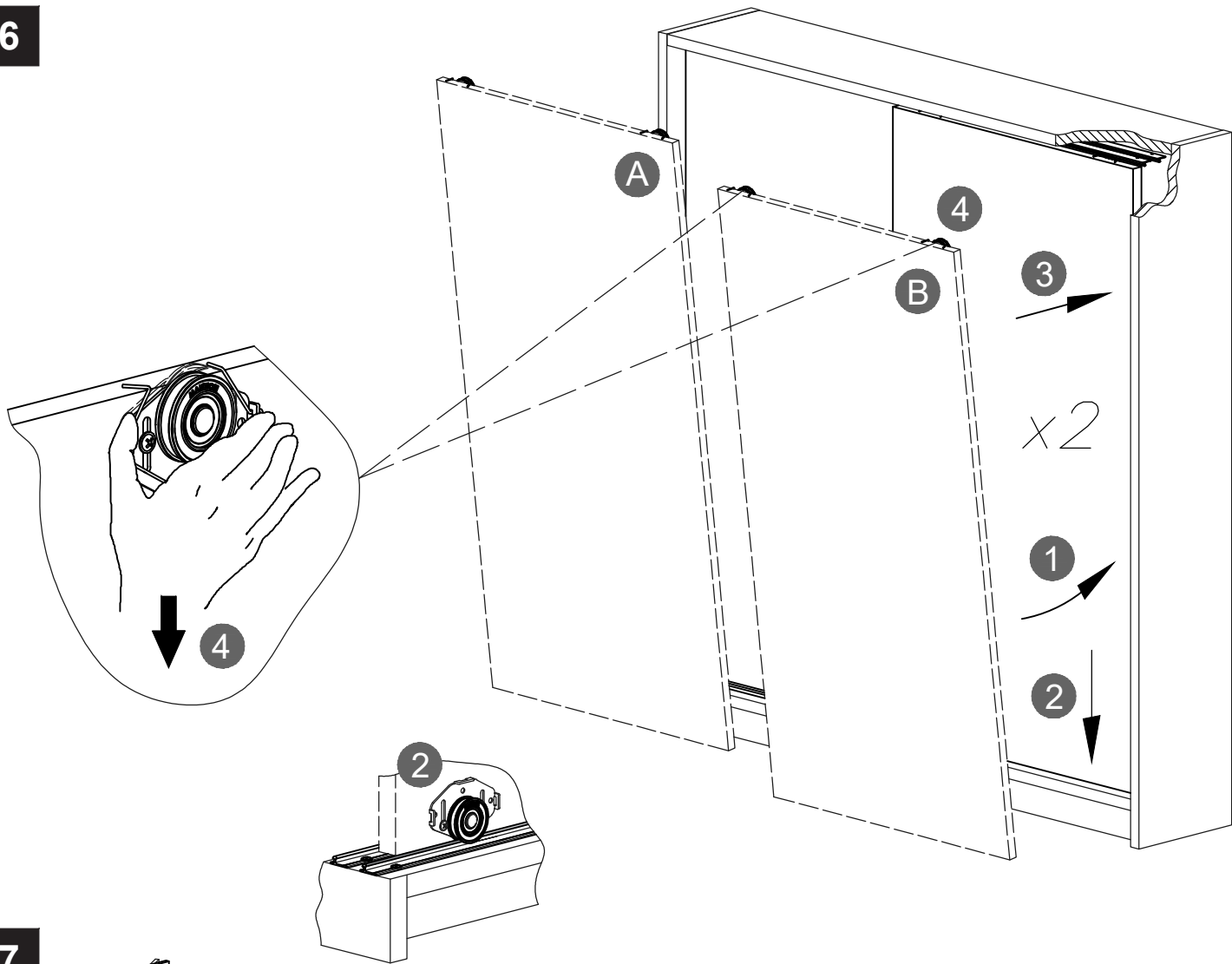
FRONT



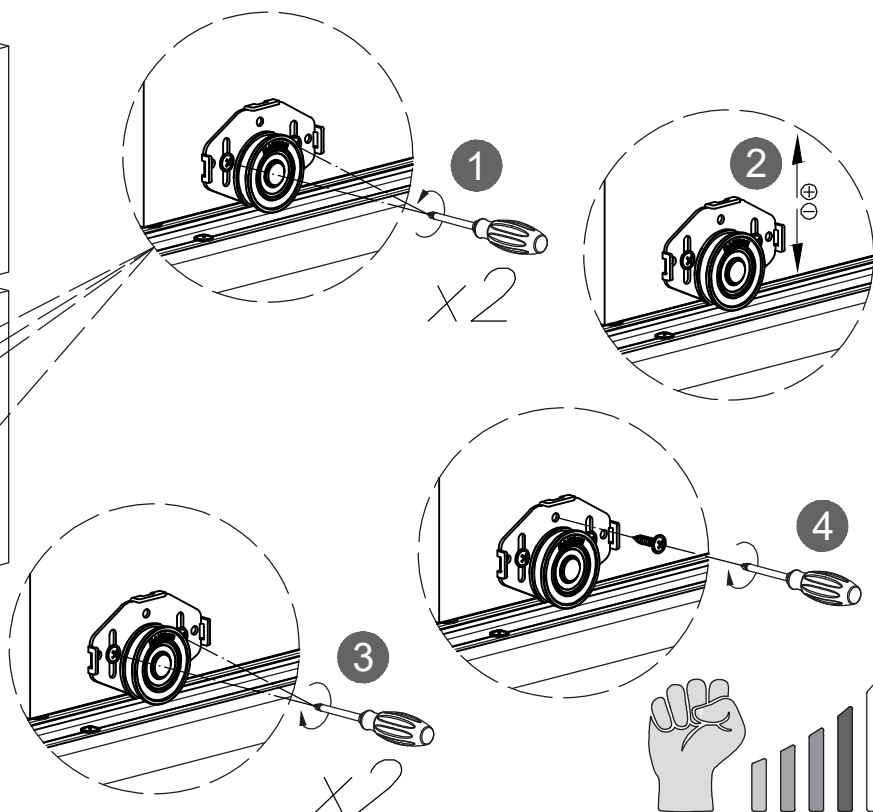
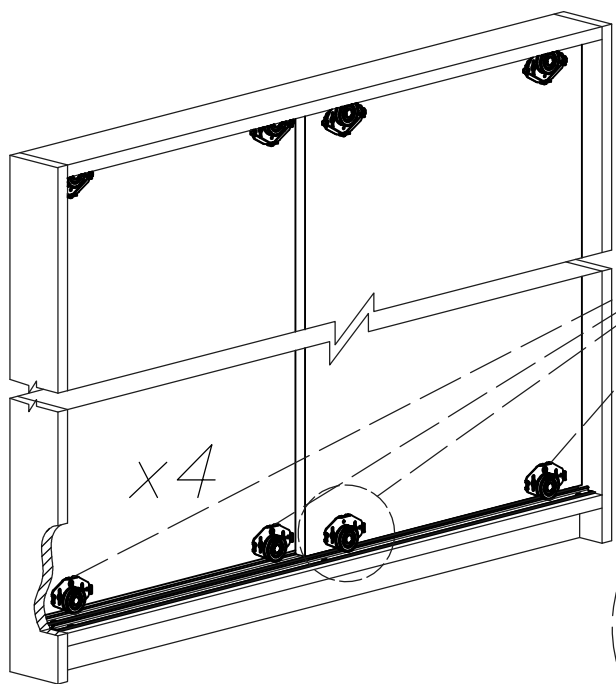
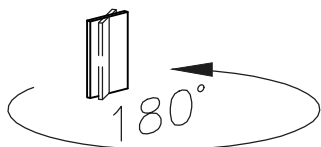
5



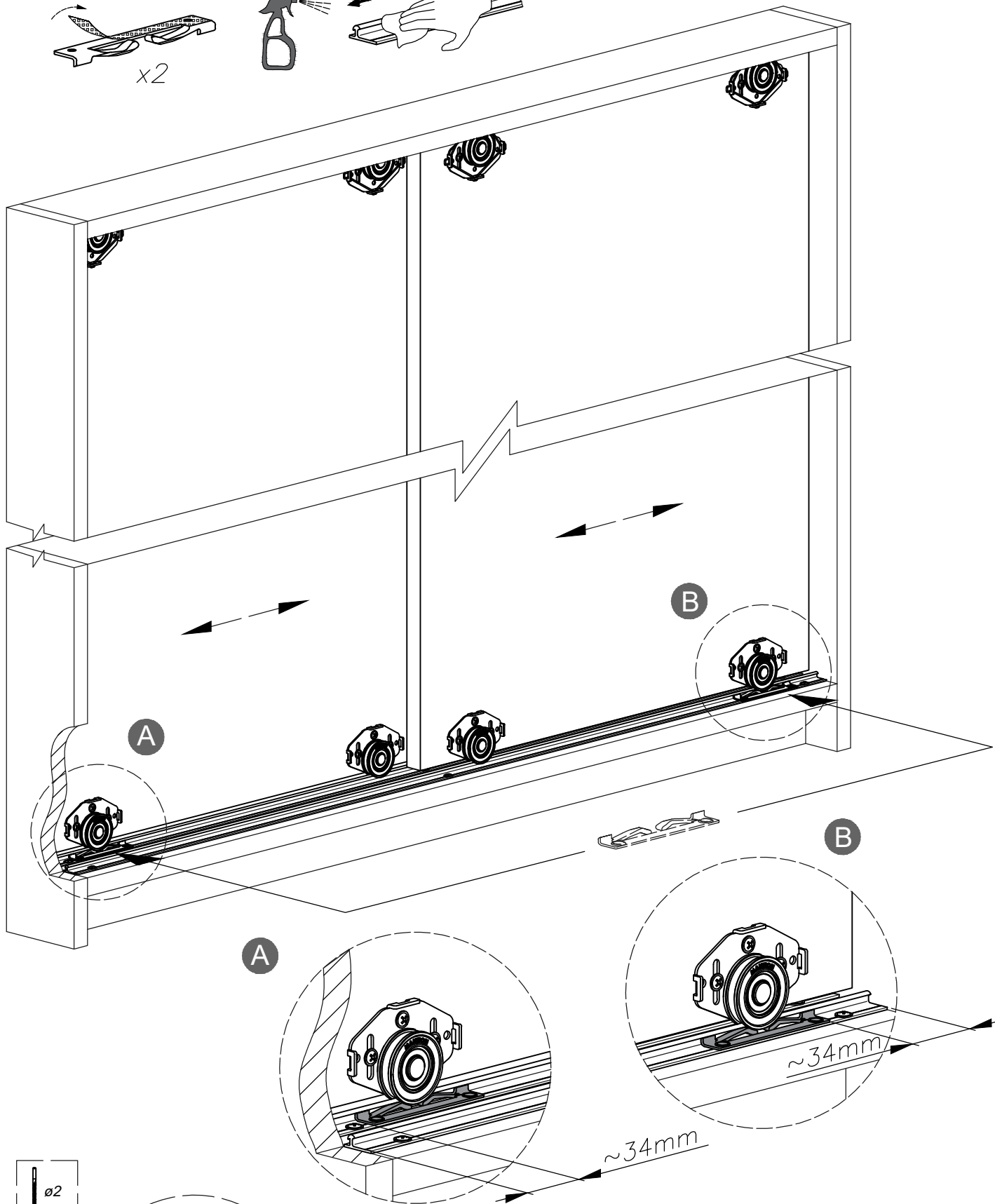
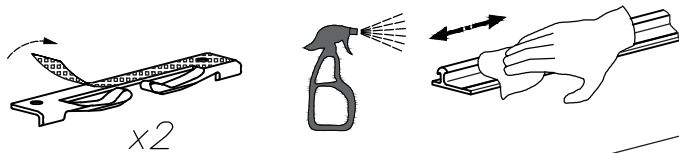
6



7



8



9



x2

