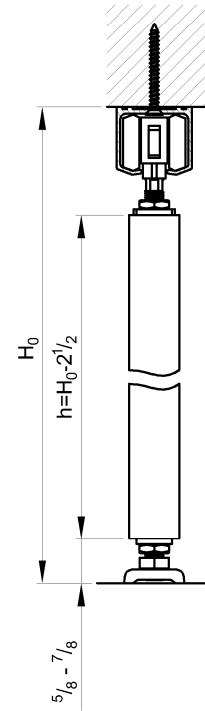
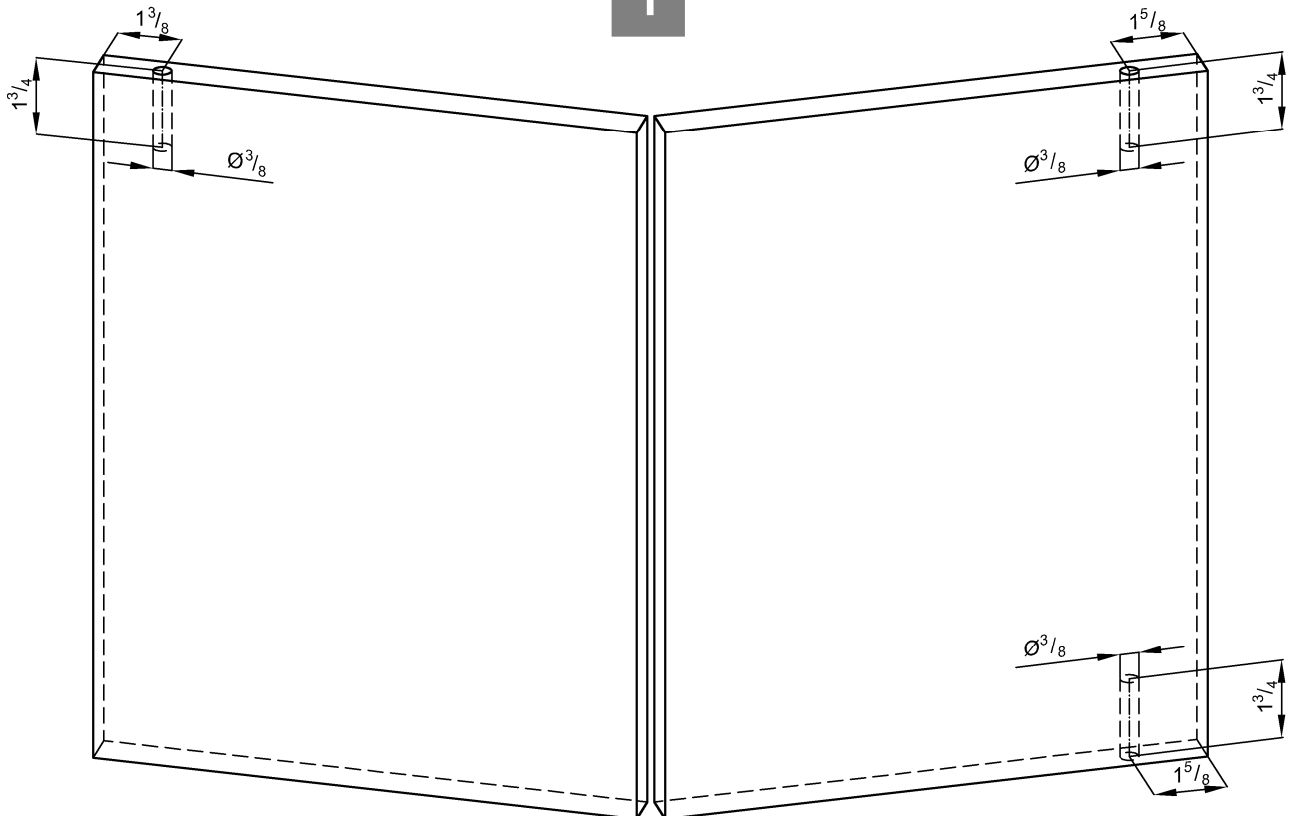


$$d = (L - x - \frac{3}{16}) / 2$$

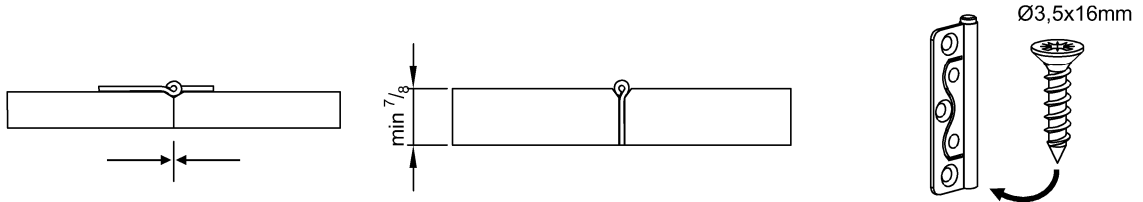
t [inch]	<math>\frac{7}{8}</math>	$\frac{7}{8}$	1	$1\frac{1}{8}$	$1\frac{1}{4}$
x [inch]	0	$\frac{1}{8}$		$\frac{3}{16}$	



**1**



2



3

