



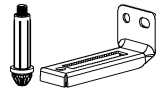
x1



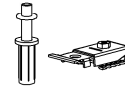
x1



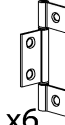
x2



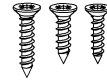
x2



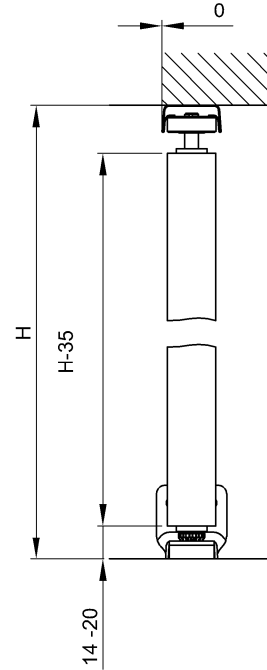
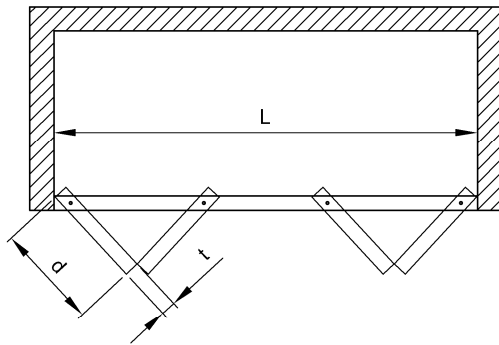
x2



x6



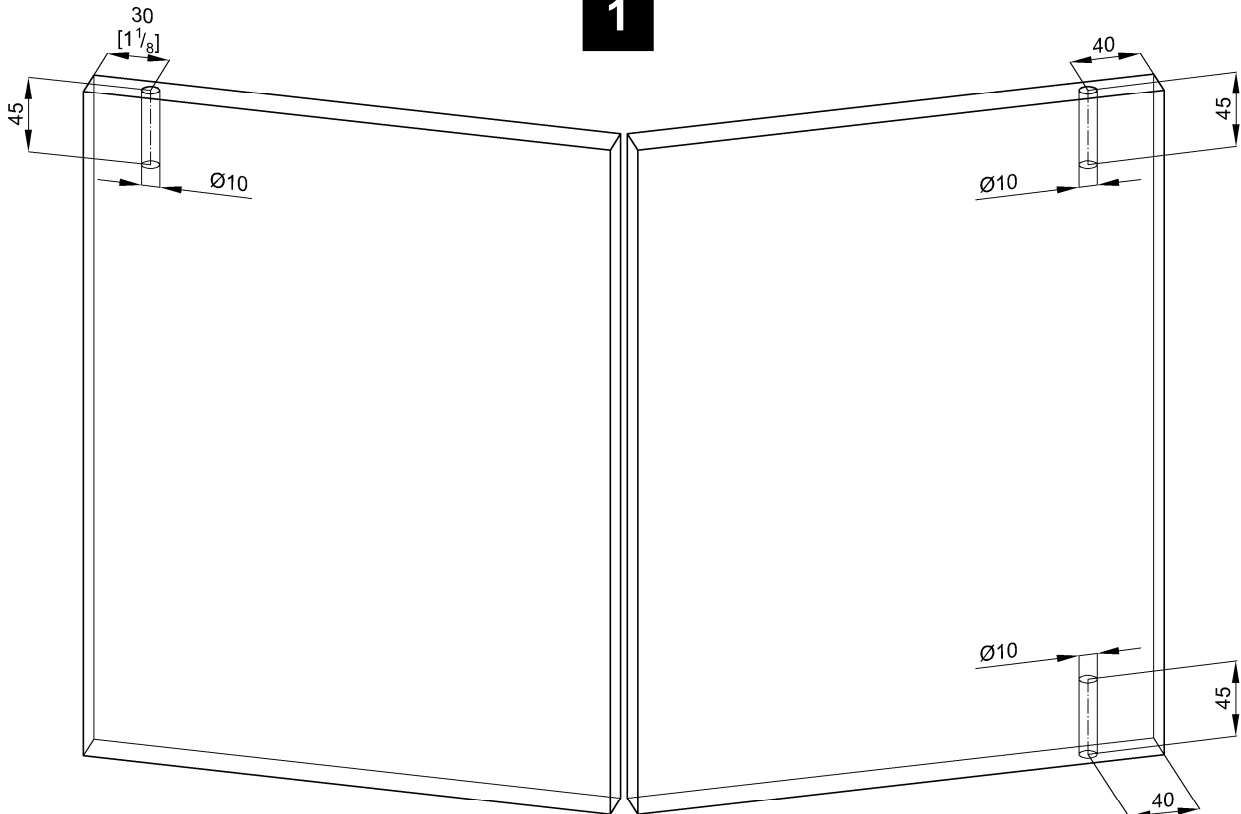
14
KG



t [mm]	<28	28÷30	31÷38
x [mm]	0	2	4

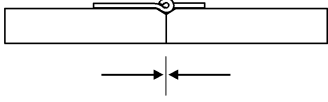
$$d = \frac{L}{4} - 3 - x$$

1

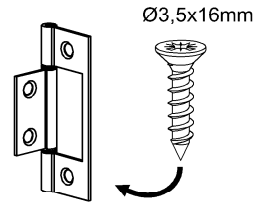
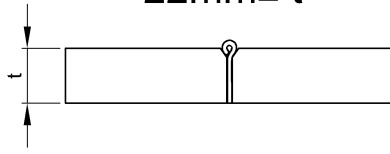


2

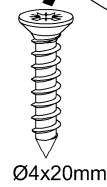
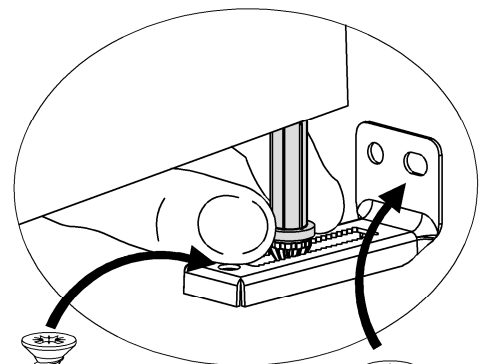
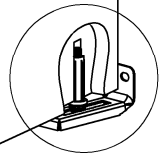
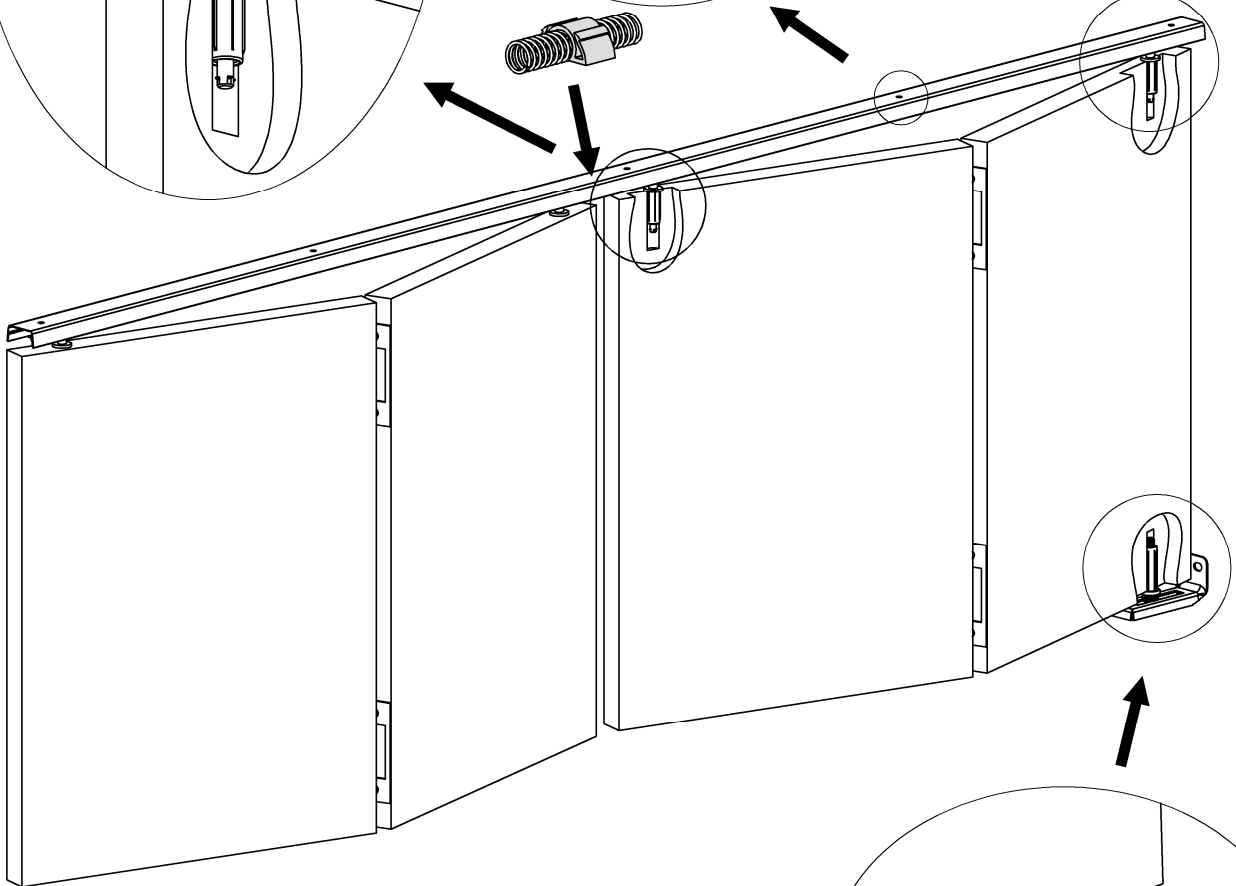
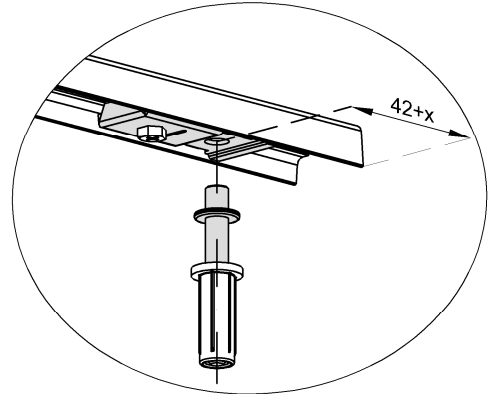
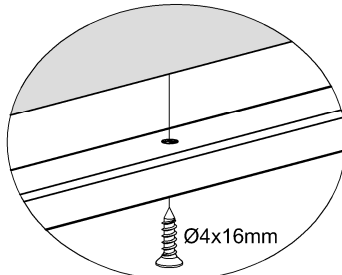
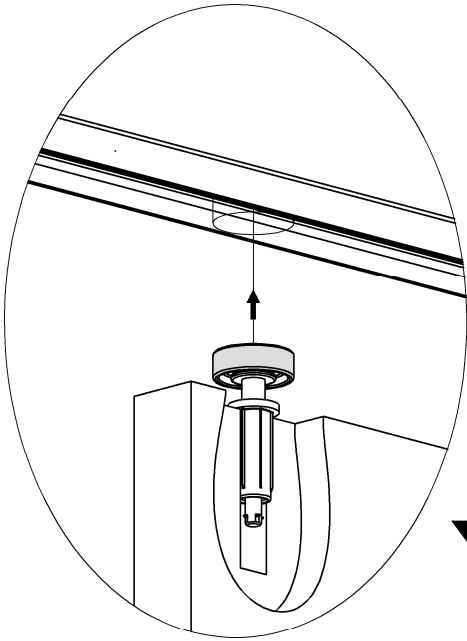
! $t < 22\text{mm}$



$22\text{mm} \leq t$



3



Ø4x20mm



Ø4x16mm

