

DOOR LEAF WEIGHT

max. 80 kg

TRACK

ANODISED ALUMINIUM

DOOR THICKNESS

min. 22 mm

Set of interior sliding doors  
with the **SILENT-STOP** soft-closing system.

- ◆ ATENA - set with unidirectional SILENT-STOP system
- ◆ ATENA DUO - set with bidirectional SILENT-STOP system
- ◆ Automatic closing with additional self-closing mechanism
- ◆ 2 types of aluminium pelmets
- ◆ No threshold - comfort of use
- ◆ Smooth and effortless sliding action



#### 1-leaf door track sets

Cat. No.	Description	Door width	Track length
213-330	AT15 Set	600 ÷ 750 mm	1500 mm
213-331	AT20 Set	600 ÷ 1000 mm	2000 mm
213-333	AT20 DUO set	900 ÷ 1000 mm	2000 mm
213-332	AT30 Set	600 ÷ 1500 mm	3000 mm
Contents of the set		AT15, 20, 30	AT20 DUO
	Aluminium track	1 pc	1 pc
215-102	Hanger with SILENT-STOP	1 pc	2 pcs
215-103	Hanger	1 pc	-
321-037	Stopper	1 pc	2 pcs
321-036	Clip Stopper	1 pc	-
216-006	Bottom guide with screws	1 set	1 set
	Keys	1 set	1 set
	Keys	1 set	1 set
	Installation instruction	1 pc	1 pc



Pre-punched anodised aluminium track

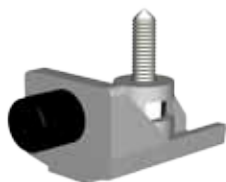


Cat. No. 215-102

Hanger with SILENT-STOP

36

Cat. No. 321-037



Stopper

Cat. No. 321-036



Clip Stopper

Cat. No. 215-103



Hanger

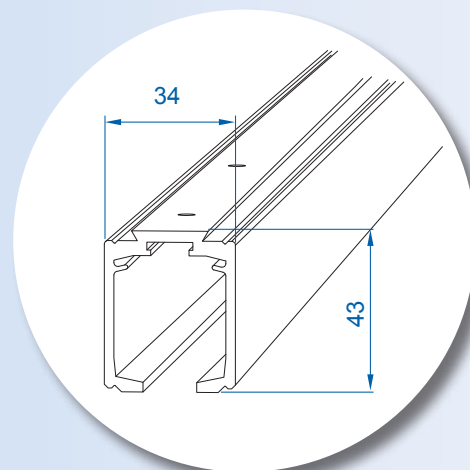
Cat. No. 216-006



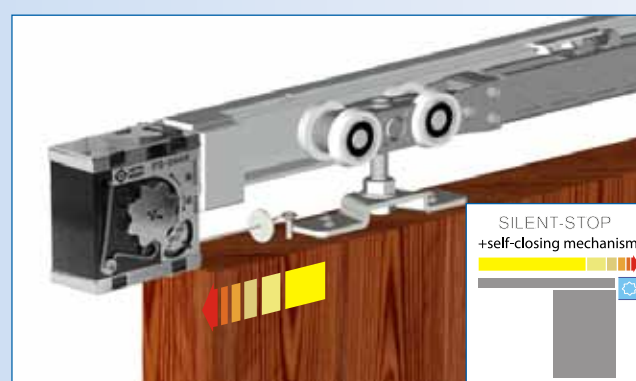
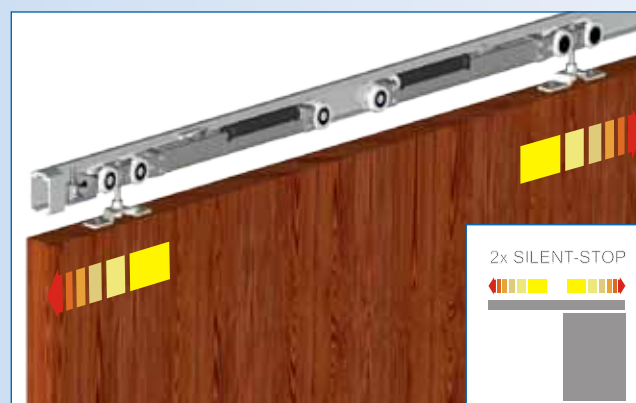
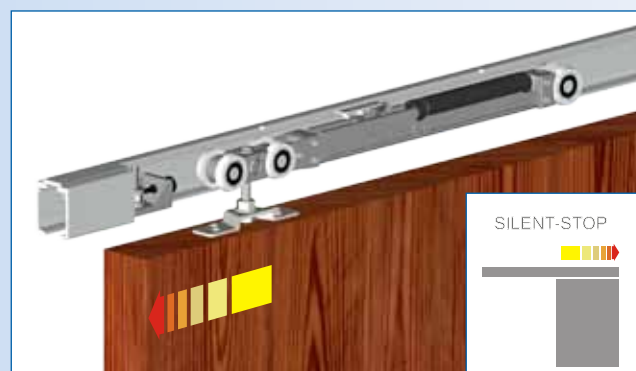
Bottom guide



ATENA set with unidirectional SILENT-STOP system



Sets without a track			
Cat. No.	Description		
219-307	AT01 set of ATENA connecting elements with unidirectional SILENT-STOP, min. door width 600 mm		
219-308	AT DUO set of ATENA connecting elements with bidirectional SILENT-STOP, min. door width 900 mm		
Set includes		AT01	AT DUO
215-102	Hanger with SILENT-STOP	1 pc	2 pcs
215-103	Hanger	1 pc	-
321-037	Stopper	1 pc	2 pcs
321-036	Clip Stopper	1 pc	-
216-006	Slide with screws	1 set	
	Keys	1 set	
	Keys	1 set	
	Installation instruction	1 pc	



Available track lengths		
Cat. No.	Description	Length
214-280	Aluminium track	1500 mm
214-281	Aluminium track	2000 mm
214-282	Aluminium track	3000 mm

**Automatic self-closing mechanism for the ATENA set for automatic door closing.**

Cat. No. 219-272



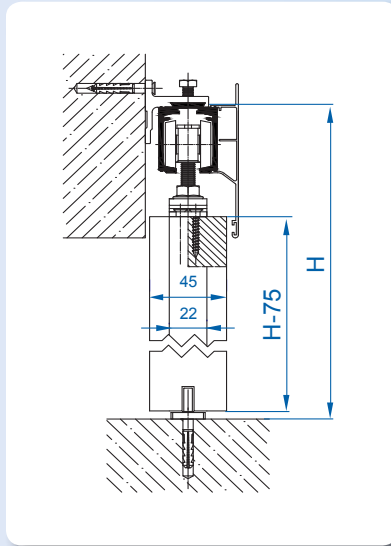
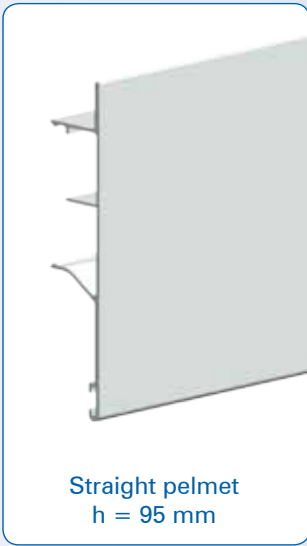
Self-closing mechanism

Self-closing mechanism		
Cat. No.	Description	Door weight
219-272	Adjustable self-closing mechanism	30-80 kg

Installation dimensions on the next page. →



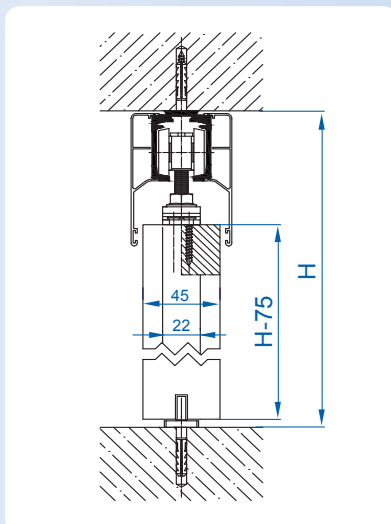
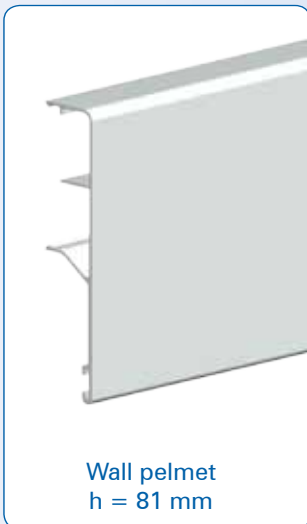
## ATENA installation options, pelmet recommendations.



Aluminium pelmet, wall-mounted		
Cat. No.	Description	Length
214-296	Aluminium pelmet, wall-mounted	1500 mm
214-297	Aluminium pelmet, wall-mounted	2000 mm
214-298	Aluminium pelmet, wall-mounted	3000 mm
219-040	Wall bracket	-



Bracket spacing: max 50 mm.



Aluminium straight pelmet		
Cat. No.	Description	Length
214-290	Aluminium pelmet, straight	1500 mm
214-291	Aluminium pelmet, straight	2000 mm
214-292	Aluminium pelmet, straight	3000 mm

