

DOOR LEAF WEIGHT	max. 70 kg
TRACK	ALUMINIUM
DOOR THICKNESS	18 or 16 mm panel mirror 4 - 6 mm



INSTALLATION INSTRUCTION

Sliding door wardrobe system including a set of vertical anodised door profiles. ARES 3 is a unique combination of precision, ergonomic design and elegant, minimalist style. Its carefully selected elements ensure comfort and functionality, while the dimensions of the sets correspond to all major standards. Its optimised design eliminates installation difficulties, as it does not require any sophisticated tools.

- ◆ A set of aluminium door profiles included
- ◆ For panel doors
- ◆ Very quiet and effortless sliding action
- ◆ Profiles and tracks available in three anodised finish styles
- ◆ May be complemented with additional door filling layer, panel or 4 - 6 mm mirror



ARES3 Set with additional joining profiles

L = max. 1800 mm



L = max 2700 mm

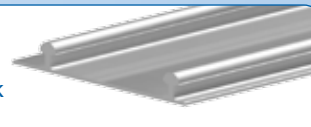


Track sets					
Cat. No.		Description	Profile colours	Number of leaves	Max. recess width
Filling layer thickness 18 mm	Filling layer thickness 16 mm				
212-130	212-136	ARES3 2/180 set	Silver	2	1800 mm
212-131	212-137	ARES3 2/180 set	Gold	2	1800 mm
212-132	212-138	ARES3 2/180 set	Olive	2	1800 mm
212-145		ARES3 2/180 set	Oak Sonoma	2	1800 mm
212-146		ARES3 2/180 set	Wenge	2	1800 mm
212-133	212-139	ARES3 3/270 set	Silver	3	2700 mm
212-134	212-140	ARES3 3/270 set	Gold	3	2700 mm
212-135	212-141	ARES3 3/270 set	Olive	3	2700 mm
212-147		ARES3 3/270 set	Oak Sonoma	3	2700 mm
212-148		ARES3 3/270 set	Wenge	3	2700 mm
Contents of the 18/16 mm filling set				2-leaf set	3-leaf set
		Anodised top track		1 pc L=1800	1 pc L=2700
		Bottom anodised track		1 pc L=1800	1 pc L=2700
		H=2700 mm vertical profile		4 pcs	6 pcs
		1800 mm anodised aluminium angle section		2 pcs	3 pcs
215-216		Top hanger		4 pcs	6 pcs
215-215		Bottom hanger		4 pcs	6 pcs
321-051		Positioner		2 pcs	3 pcs
		Screws		1 set	1 set
		Installation instruction		1 pc	1 pc

Top anodised track with integrated pelmet



Bottom anodised aluminium track



1800 mm anodised aluminium angle section



Cat. No. 215-216



Top hanger

Cat. No. 215-215



Bottom hanger

H=2700 mm anodised aluminium vertical profile



Cat. No. 321-051



Positioner



INSTALLATION
INSTRUCTION

2-leaf door set



INSTALLATION
INSTRUCTION

3-leaf door set



In order to install an additional door leaf, please use a set for 1 leaf ARES3 sliding door, without a track.

Sets without a track with profiles for an additional door leaf

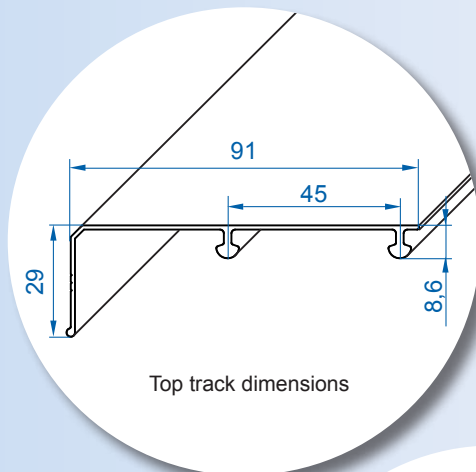
Cat. No. profile 18 mm	Cat. No. profile 16 mm	Description
219-011	219-016	Set for 1 leaf ARES3 door, silver
219-012	219-017	Set for 1 leaf ARES3 door, gold
219-013	219-018	Set for 1 leaf ARES3 door, olive
219-015		Set for 1 leaf ARES3 door, oak sonoma
219-016		Set for 1 leaf ARES3 door, wenge

Contents of the sets		Qty
	H=2700 mm vertical profile	2 pcs
	1800 mm anodised aluminium angle section	1 pc
215-216	Top hanger	2 pcs
215-215	Bottom hanger	2 pcs
321-051	Positioner	1 pc
	Screws	1 set
	Installation instruction	1 pc

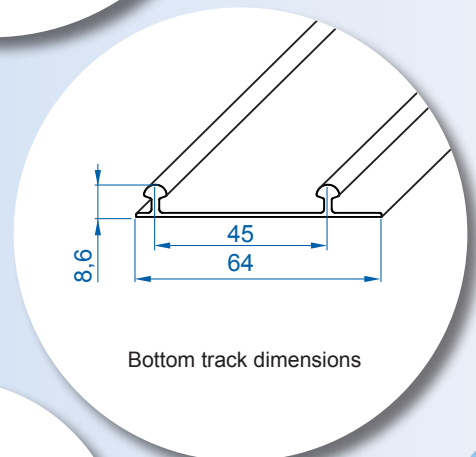
Set of hangers for an additional door leaf

Cat. No.	Description
219-014	Set of ARES 3 hangers for 1 door leaf

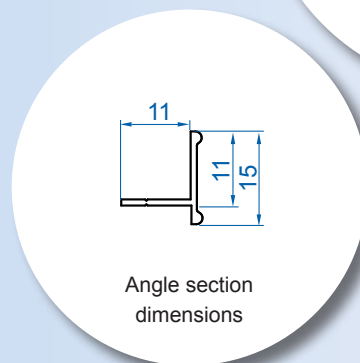
Set of hangers includes		Qty
215-216	Top hanger	2 pcs
215-215	Bottom hanger	2 pcs
321-051	Positioner	1 pc
	Screws	1 set
	Installation instruction	1 pc



Top track dimensions



Bottom track dimensions



Angle section dimensions

Installation dimensions on the next page.



For mounting the mirror or additional filling layer, use a connecting profile of the correct colour.

Connecting profile H		
Cat. No.		Description
Filling layer thickness 18 mm	Filling layer thickness 16 mm	
219-021	219-024	Connecting profile H, silver
219-022	219-025	Connecting profile H, gold
219-023	219-026	Connecting profile H, olive
219-051	Connecting profile H, oak sonoma	
219-052	Connecting profile H, wenge	
Contents of the set		Qty
Connecting profile H 1800 mm		1 pc
Glass wedge		16 pcs
Glass cushioning insert		12 pcs

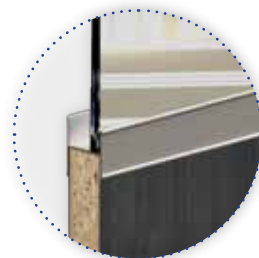
Connecting profile H for
4 - 6 mm mirror and 18 mm
panel



16 glass wedges and 12 cushioning inserts for
installing the mirror in the profile



Connecting profile H for the Ares 3 system
allows installation of an additional mirror
or panel filling layer.



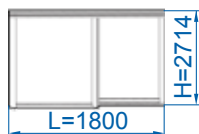
Panel/Mirror



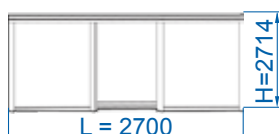
Panel/Panel

Maximum recess dimensions

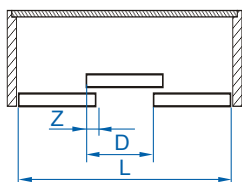
2-leaf door set



3-leaf door set



Door width calculation:



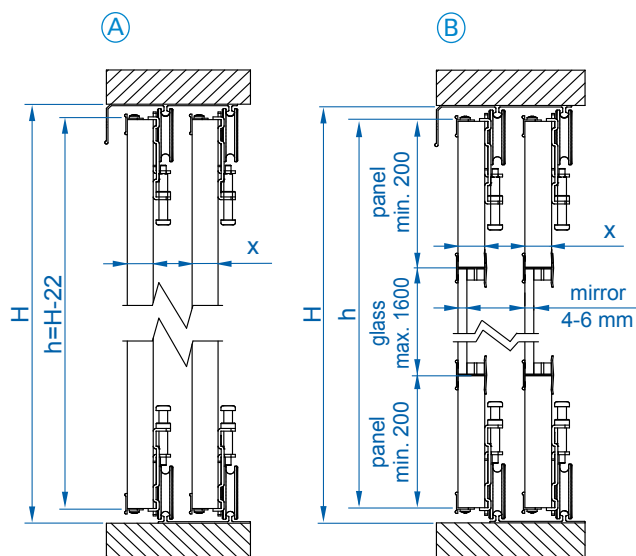
$$D = \frac{L + (n-1) \cdot Z}{n}$$

L - Track length [mm]
Z - Door leaf overlap [mm]
(recommended 60 mm)
D - Door leaf width [mm]
n - Number of door leaves

H - Inside diameter of the opening
h - Filling layer height
x - door thickness, 16 or 18 mm

Door filling layer height:

x = 18 or 16 mm



A - ARES3 with uniform
panel filling;

B - ARES3 with the use of
a connecting profile, with
additional mirror component.