

DOOR LEAF WEIGHT

max. 80 kg

TRACK

ZINC-COATED STEEL

DOOR THICKNESS

min. 22 mm

Excellent system for sliding industrial doors.

- ◆ **Special design of the hangers provides trouble-free operation and long life**
- ◆ **For indoor and outdoor applications**



Set for doors up to 80 kg		
Cat. No.	Description	Qty
219-516	3530GV Set of connecting elements SPORTUB for doors up to 80 kg	
Set includes		
215-319	0235A Hanger with steel wheels	2 pcs
219-487	0036 Mounting bracket, straight	2 pcs
219-479	3531 Mounting bracket	6 pcs
219-401	3531MC Jointing bracket	1 pc
219-483	3533 fixing accessories	7 pcs
219-486	3540 End cap	2 pcs
219-489	1102 Bottom guide	2 pcs
219-490	1086 Stopper	2 pcs
337-755	1298 handle	1 pc

Steel tracks		
Cat. No.	Description	Length
214-865	3530/200 Steel track	2000 mm
214-848	3530/300 Steel track	3000 mm
214-806	3530/400 Steel track	4000 mm
214-807	3530/500 Steel track	5000 mm
214-808	3530/600 Steel track	6000 mm

Track arch	
214-905	3530C Curve for track 3530, radius 500 mm

System elements	
215-319	0235A Hanger with steel wheels
215-304	0235D Hanger with plastic wheels
215-303	2232 Hanger with steel wheels
215-323	2235 Hanger with steel wheels
219-488	0031 Apron set
219-487	0036 Mounting bracket, straight
219-405	0037 Mounting bracket, straight, M10, lateral
219-403	1098 Stopper
219-490	1086 Stopper



Zinc-coated guide 3530



Hanger 0235



Hanger 2232

Cat. No. 215-323



Hanger 2235

Cat. No. 219-488



Bracket 0031

Cat. No. 219-403



Stopper 1098

Cat. No. 219-487



Bracket 0036

Cat. No. 219-490



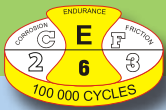
Stopper 1086

Cat. No. 219-405

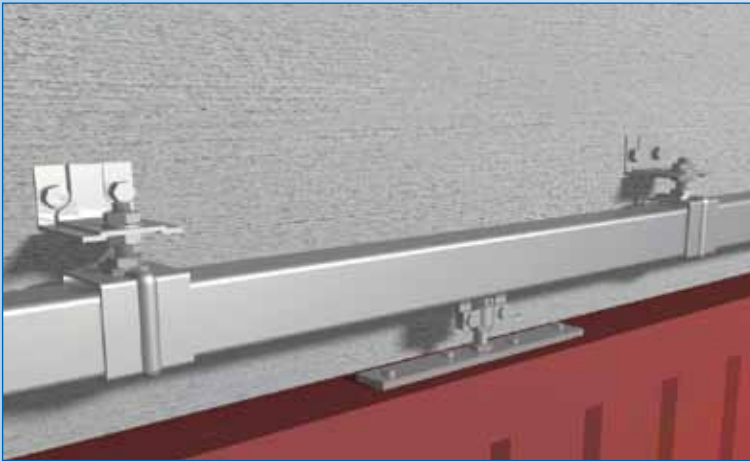


Bracket 0037

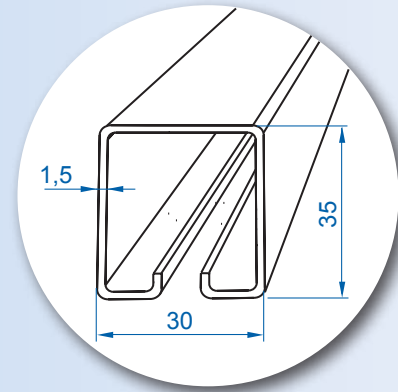
Supporting screws in hangers and brackets - M10



Ball bearing wheels!



Bracket spacing: max 70 mm.



System elements, cont'd.

Cat. No.	Description
219-480	3531L Mounting bracket, bolt M10x90
219-479	3531 Mounting bracket, bolt M10x30
219-484	3631 Mounting bracket, wall-mounted
219-407	3634 Mounting bracket, ceiling-mounted
219-481	3531M Jointing bracket
219-401	3531MC Jointing bracket
219-418	3537 Bracket, suspended on T-profile
219-406	3534 Bracket, upper
219-483	3533 Bracket
219-419	3535 Bracket, double, for embedding in the wall, lateral
219-414	3536 Bracket, double, lateral
219-482	3532 Bracket, for embedding in the wall, lateral
219-489	1102 Bottom guide
219-486	3540 End cap
337-755	1298 Handle

Cat. No. 219-480



Bracket 3531L

Cat. No. 219-479



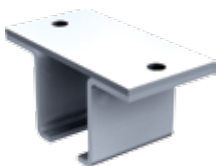
Bracket 3531

Cat. No. 219-484



Bracket 3631

Cat. No. 219-407



Bracket 3634

Cat. No. 219-481



Bracket 3531M

Cat. No. 219-401



Bracket 3531MC

Cat. No. 219-418



Bracket 3537

Cat. No. 219-406



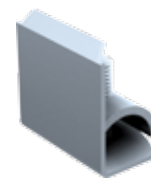
Bracket 3534

Cat. No. 219-483



Bracket 3533

Cat. No. 219-486



End cap 3540

Cat. No. 337-755



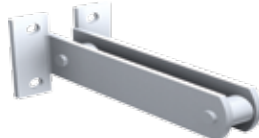
Handle 1298

Cat. No. 219-419



Bracket 3535

Cat. No. 219-414



Bracket 3536

Cat. No. 219-482



Bracket 3532

Cat. No. 219-489



Bottom guide 1102

Methods of installation and options concerning lower guide mounting are shown on pages 58-59.